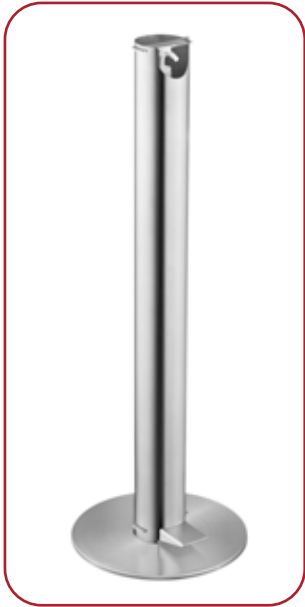


# 0400-S

## Foot Operated Hand Sanitizer Stand



0400-S

### GENERAL DESCRIPTION

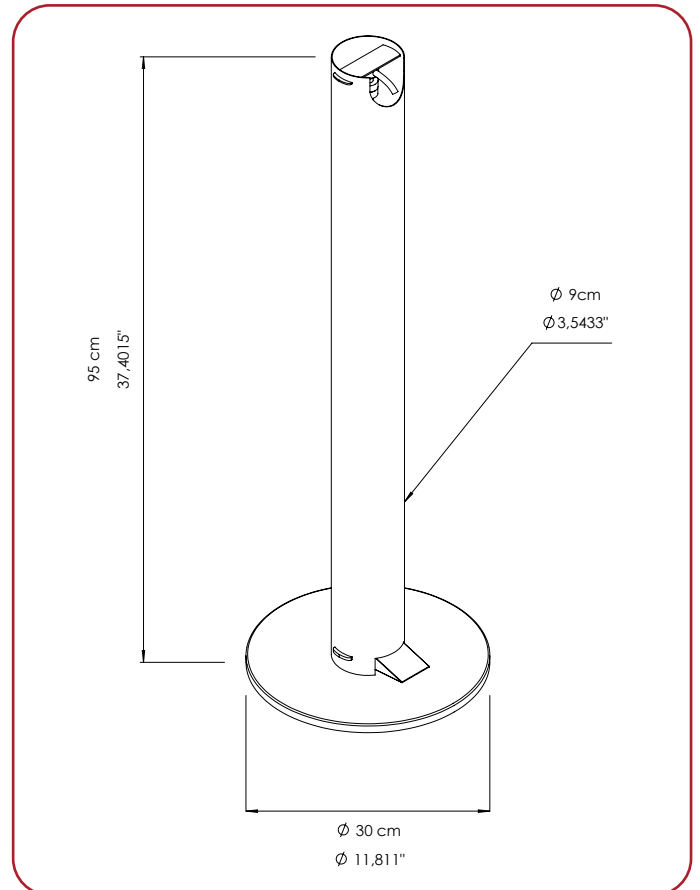
- + Foot operated hand sanitizer stand made with stainless steel 304 S.S. 1.5 mm thickness (Bottom 1 mm)
- + Available in only one finish (Satine)
- + Useful for the public areas.
- + Floor standing for sanitization areas.
- + Can be adjusted to the floor with the screws if it is required.
- + Plastic bottle inside, 1 LT capacity.
- + Spray premium quality pump system.
- + Lock on the top, protects the sanitizer bottle inside.
- + Easy to refill.

### COMPONENTS AND MATERIAL

- + 0400-S 304 Stainless Steel satine finish

### DISPENSER REPLACEMENT REQUIREMENTS AND RECOMMENDATIONS

The following recommendations are intended to provide guidelines on the best possible placement of the dispensers. Because every location a dispenser



is to be mounted is different, depending on customer site, physical size limitations, and available space, these recommendations may not always be entirely possible to follow. However, when placing a dispenser installation must meet ADA requirements and should promote ease of use and be in union with its surroundings. Upon installation, the dispenser should be level and the job results professional, presentable and fully functional.

### AFTERCARE INSTRUCTIONS

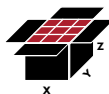
- + Regular cleaning with a soft cloth will keep the surface of your product looking new. Soapy water can be used to remove stubborn marks. Don't use abrasive or chemical cleaners as these may damage the surface finish over time.
- + Don't expose to sunlight.
- + Don't respond to the product with force against the possibility of damnification, deformation.
- + Don't throw any cigarettes and flammable materials into the product.



PRODUCT  
CODE  
0400-S



PRODUCT  
DIMEN.  
9x30x95 cm



CARTON  
DIMEN.  
32x32x105 cm



CARTON  
WEIGHT  
25 kg



INBOX  
QUANTITY  
2



PALLET  
QUANTITY  
24



GROSS PALLET  
DIMEN.  
80x120x225 cm



GROSS PALLET  
WEIGHT  
315 kg