

0500-S

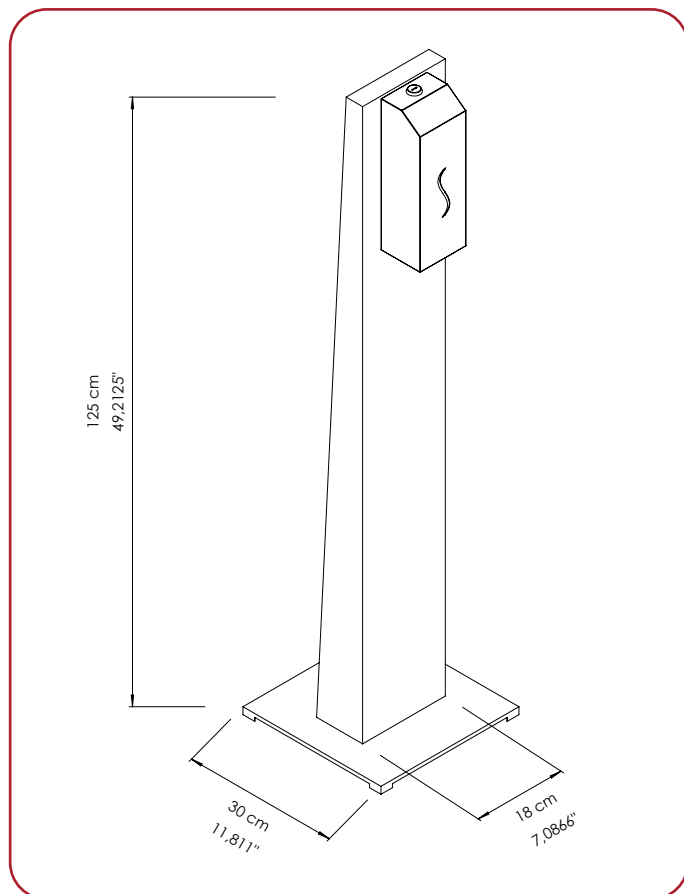
Hand Sanitizer Stand



0500-S



Extra dispenser option



GENERAL DESCRIPTION

- + Hand sanitizer stand made with stainless steel 304 S.S. 0.80 mm.
- + Available in only finish (satine)
- + Useful for the public areas.
- + Floor standing for sanitization areas.
- + Can be adjusted to the floor with the screws if it is required.
- + Easy to install sanitizer dispenser.

COMPONENTS AND MATERIAL

- + 0500-S 304 Stainless Steel satine finish

DISPENSER REPLACEMENT REQUIREMENTS AND RECOMMENDATIONS

The following recommendations are intended to provide guidelines on the best possible placement of the dispensers. Because every location a dispenser is to be mounted is different, depending on customer site, physical size limitations, and available space,

these recommendations may not always be entirely possible to follow. However, when placing a dispenser installation must meet ADA requirements and should promote ease of use and be in union with its surroundings. Upon installation, the dispenser should be level and the job results professional, presentable and fully functional.

AFTERCARE INSTRUCTIONS

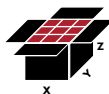
- + Regular cleaning with a soft cloth will keep the surface of your product looking new. Soapy water can be used to remove stubborn marks. Don't use abrasive or chemical cleaners as these may damage the surface finish over time.
- + Don't expose to sunlight.
- + Don't respond to the product with force against the possibility of damnification, deformation.
- + Don't throw any cigarettes and flammable materials into the product.



PRODUCT
CODE
0500-S



PRODUCT
DIMEN.
18x30x125 cm



CARTON
DIMEN.
34x34x132 cm



CARTON
WEIGHT
25 kg



INBOX
QUANTITY
2



PALLET
QUANTITY
12



GROSS PALLET
DIMEN.
80x120x150 cm



GROSS PALLET
WEIGHT
165 kg