

0650PW / 0650BS / 0650BL / 0650CHR

Toilet Seat Cover Dispenser



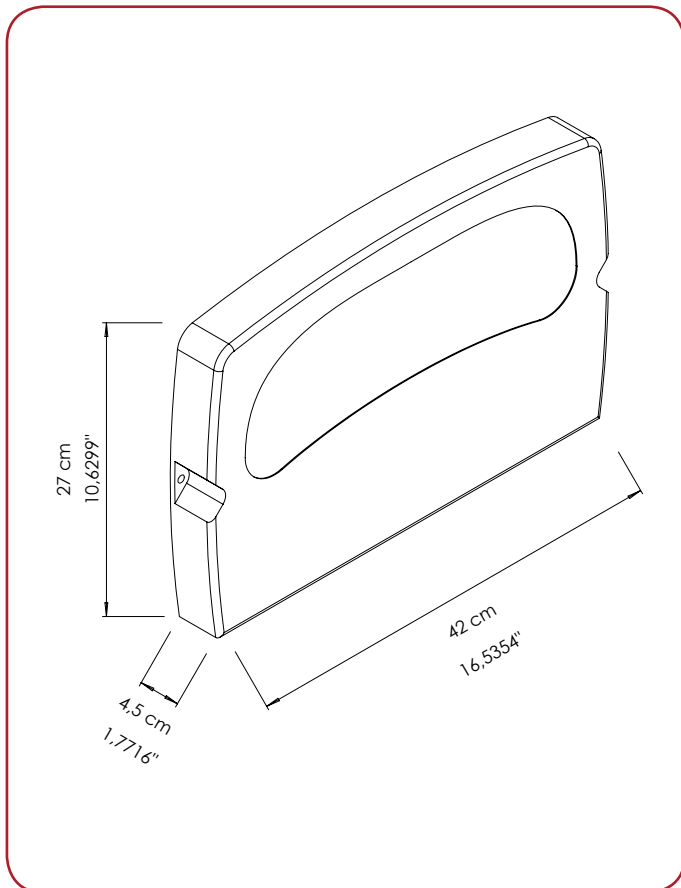
0650CHR



0650PW



0650BS



GENERAL DESCRIPTION

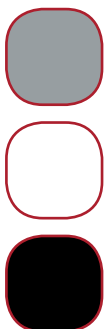
- + Toilet seat cover dispenser made with ABS or SAN plastic raw material.
- + Available in three different colours. Pearl white, black and chrome painted.
- + It is mounted with two steel 4 mm screws (provided in the box) with their 8 mm plastic plugs (also provided)
- + Elegant design is suitable for all types of public toilets.

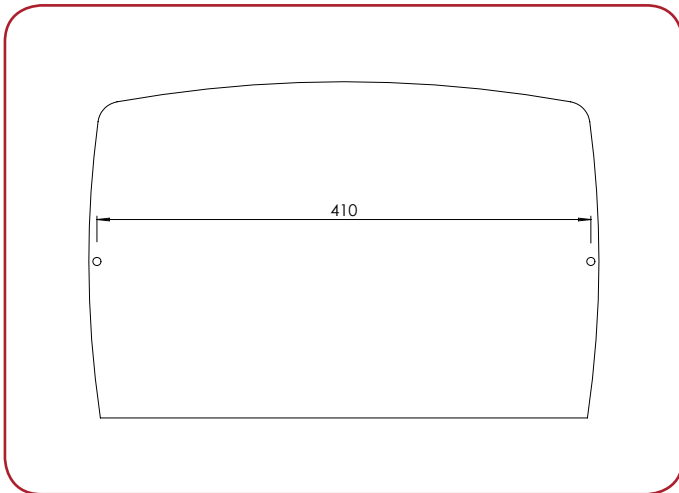
COMPONENTS AND MATERIAL

- + 0650PW, pearl white ABS plastic
- + 0650BS, black ABS plastic
- + 0602CHR, chrome painted over ABS

INSTALLATION

- + First measure out where the dispenser will be placed, mark two holes and drill into the wall.
- + Insert the provided wall plugs and screw in the left screw, leaving a slight gap for the dispenser to slot onto.
- + Slot the dispenser onto the two previously fixed screw and then screw final one screw.





MOUNTING TEMPLATE

Should be minimum 150 cm high from the floor.

DISPENSER REPLACEMENT REQUIREMENTS AND RECOMMENDATIONS

The following recommendations are intended to provide guidelines on the best possible placement of the dispensers. Because every location a dispenser is to be mounted is different, depending on customer site, physical size limitations, and available space, these recommendations may not always be entirely possible to follow. However, when placing a dispenser installation must meet ADA requirements and should promote ease of use and be in union with its surroundings. Upon installation, the dispenser should be level and the job results professional, presentable and fully functional.

AFTERCARE INSTRUCTIONS

- + Regular cleaning with a soft cloth will keep the surface of your product looking new. Soapy water can be used to remove stubborn marks. Don't use abrasive or chemical cleaners as these may damage the surface finish over time.
- + Don't expose to sunlight.
- + Don't respond to the product with force against the possibility of damnification, deformation.
- + Don't throw any cigarettes and flammable materials into the product.



PRODUCT
CODE

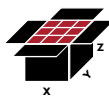
0650PW
0650BS
0650CHR



LITER

PRODUCT
DIMEN.

27x42x4,5 cm
27x42x4,5 cm
27x42x4,5 cm



CARTON
DIMEN.

29x77x44 cm
29x77x44 cm
29x77x44 cm



CARTON
WEIGHT

6 kg
6 kg
6 kg



INBOX
QUANTITY

12
12
12



PALLET
QUANTITY

216
216
216



GROSS PALLET
DIMEN.

80x120x220 cm
80x120x220 cm
80x120x220 cm



GROSS PALLET
WEIGHT

114 kg
114 kg
114 kg