

0660PW / 0660BS / 0660CHR

Touchless Roll Towel Dispenser



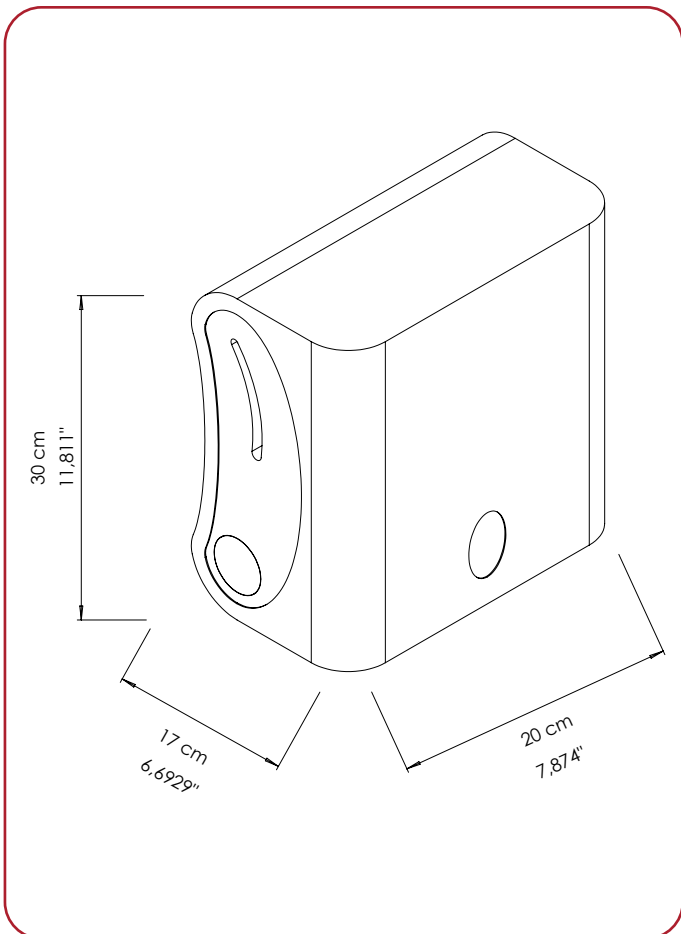
0660CHR



0660PW



0660BS



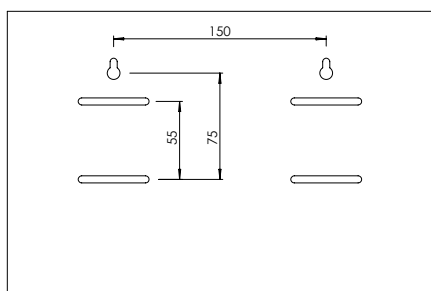
0660

GENERAL DESCRIPTION

- + Touchless roll towel dispenser made with ABS or SAN plastic raw material.
- + Available in three different colours. Pearl white, black, chrome painted.
- + It is mounted with four steel 4 mm screws (provided in the box) with their 8 mm plastic plugs (also provided)
- + The lock system is exist to protect the paper inside clean and safe.
- + Elegant design is suitable for all types of public toilets.
- + Transparent indicators helps to control paper level inside.
- + Roll locked lid includes control mechanism of the dispenser.
- + Allows to use roll paper from 19 cm to 22 cm
- + Battery (4 batteries) or electricity (220V) options are available.
- + Adjustable paper length 15-25-35 cm.
- + Adjustable duration (immediately, 1 seconds)

COMPONENTS AND MATERIAL

- + 0660PW, pearl white ABS plastic
- + 0660BS, black ABS plastic
- + 0660CHR, chrome painted over ABS

**0660****INSTALLATION**

- + First measure out where the dispenser will be placed, mark four holes and drill into the wall.
- + Insert the provided wall plugs and screw in the top two screws, leaving a slight gap for the dispenser to slot onto.
- + Open the dispenser lock before mounting the dispenser to the wall.
- + Slot the dispenser onto the two previously fixed screws and then screw final two screws.
- + Once the dispenser is secure, you can close the lid.

LOADING THE TOWEL ROLL

- + Open the dispenser lock to load paper inside.
- + Place the paper to the right place by using the handles and roller. Press "install paper" button to check if it works properly.
- + Then close the lid.

INSERTING THE BATERIES

1. Open the battery compartment by removing the cover.
2. Insert 13A/1.50V 4 alkaline batteries paying attention to the polarity. Alkaline batteries are highly recommended. Put the cover back on the battery compartment by pushing until "click"
3. Close the front cover of the dispenser.

ATTENTION

The dispenser cover must be closed to work properly. When the supply voltage is too low, Led will blink continuously and then the dispenser will not work. Please change the batteries immediately.

MOUNTING TEMPLATE

Should be minimum 120 cm high from the floor.

DISPENSER REPLACEMENT REQUIREMENTS AND RECOMMENDATIONS

The following recommendations are intended to provide guidelines on the best possible placement of the dispensers. Because every location a dispenser is to be mounted is different, depending on customer site, physical size limitations, and available space, these recommendations may not always be entirely possible to follow. However, when placing a dispenser installation must meet ADA requirements and should promote ease of use and be in union with its surroundings. Upon installation, the dispenser should be level and the job results professional, presentable and fully functional.

AFTERCARE INSTRUCTIONS

- + Regular cleaning with a soft cloth will keep the surface of your product looking new. Soapy water can be used to remove stubborn marks. Don't use abrasive or chemical cleaners as these may damage the surface finish over time. Use chemicals suitable for plastic products.
- + Don't expose to sunlight.
- + Don't respond to the product with force against the possibility of damage, deformation.
- + Don't throw any cigarettes and flammable materials into the product.



PRODUCT
CODE

0660PW
0660BS
0660CHR



PRODUCT
DIMEN.

30x30x17 cm
30x30x17 cm
30x30x17 cm



CARTON
DIMEN.

53x66x42 cm
53x66x42 cm
53x66x42 cm



CARTON
WEIGHT

11,50 kg
11,50 kg
11,50 kg



INBOX
QUANTITY

4
4
4



PALLET
QUANTITY

40
40
40



GROSS PALLET
DIMEN.

80x120x225 cm
80x120x225 cm
80x120x225 cm



GROSS PALLET
WEIGHT

130 kg
130 kg
130 kg