

# 0700-S

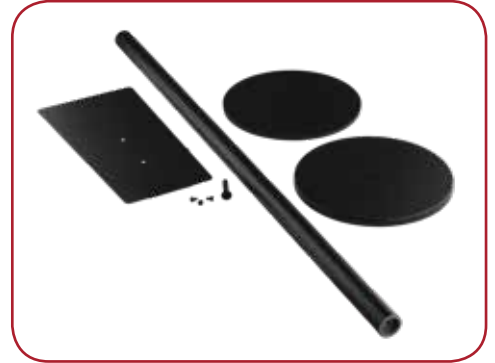
## Hand Sanitizer Stand



0700-SR

### GENERAL DESCRIPTION

- + Hand sanitizer stand made with stainless steel 304 S.S. and steel powder coated.
- + Available in stainless steel & steel powder coated black, white, grey.
- + Useful for the public areas.
- + Floor standing for sanitization areas.
- + Can be adjusted to the floor with the screws if it is required.
- + Easy to install sanitizer dispenser.
- + Demountable packing system gives the benefit of saving from the transportation.



### COMPONENTS AND MATERIAL

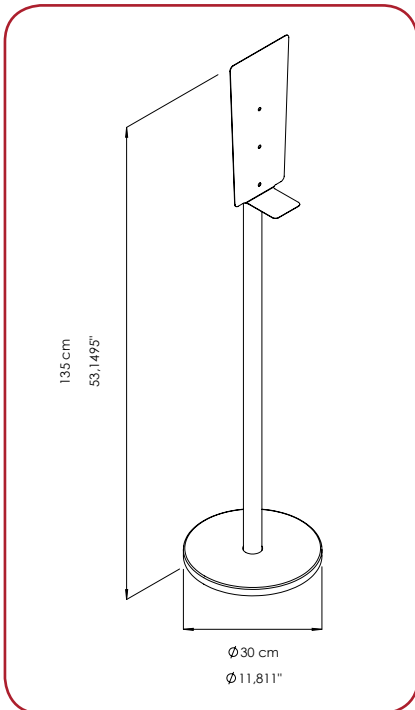
- + 0700-SR Steel powder coated black, white, grey
- + 0700-S Stainless Steel 304 S.S.

### DISPENSER REPLACEMENT REQUIREMENTS AND RECOMMENDATIONS

The following recommendations are intended to provide guidelines on the best possible placement of the dispensers. Because every location a dispenser is to be mounted is different, depending on customer site, physical size limitations, and available space, these recommendations may not always be entirely possible to follow. However, when placing a dispenser installation must meet ADA requirements and should promote ease of use and be in union with its surroundings. Upon installation, the dispenser should be level and the job results professional, presentable and fully functional.

### AFTERCARE INSTRUCTIONS

- + Regular cleaning with a soft cloth will keep the surface of your product looking new. Soapy water can be used to remove stubborn marks. Don't use abrasive or chemical cleaners as these may damage the surface finish over time.
- + Don't expose to sunlight.
- + Don't respond to the product with force against the possibility of damnification, deformation.
- + Don't throw any cigarettes and flammable materials into the product.



PRODUCT  
CODE  
0700-S



LITER



PRODUCT  
DIMEN.  
30x135 cm



CARTON  
DIMEN.  
34x32x123



CARTON  
WEIGHT  
21 kg



INBOX  
QUANTITY  
3



PALLET  
QUANTITY  
48



GROSS PALLET  
DIMEN.  
80x120x240 cm



GROSS PALLET  
WEIGHT  
1025 kg