

0701 / 0702 / 0703 / 0704 / 0705 / 0706

Open Lid Bins



0702

GENERAL DESCRIPTION

- + Open lid bins made with stainless steel 304 S.S and 430 S.S. 0.30 / 0.40 mm thickness.
- + Available in two finishes (Bright & Satine)
- + Useful for the public areas.
- + Protective plastic base.
- + Easy removable inner plastic bin

COMPONENTS AND MATERIAL AND CAPACITY

- + 0701 Stainless Steel 430 bright finish, 3 LT
- + 0702 Stainless Steel 430 bright finish, 5 LT
- + 0703 Stainless Steel 430 bright finish, 8 LT
- + 0704 Stainless Steel 430 bright finish, 12 LT
- + 0705 Stainless Steel 430 bright finish, 16 LT
- + 0706 Stainless Steel 430 bright finish, 20 LT
- + 0701A Stainless Steel 304 bright finish, 3 LT
- + 0702A Stainless Steel 304 bright finish, 5 LT
- + 0703A Stainless Steel 304 bright finish, 8 LT
- + 0704A Stainless Steel 304 bright finish, 12 LT
- + 0705A Stainless Steel 304 bright finish, 16 LT
- + 0706A Stainless Steel 304 bright finish, 20 LT

- + 0701M Stainless Steel 430 satine finish, 3 LT
- + 0702M Stainless Steel 430 satine finish, 5 LT
- + 0703M Stainless Steel 430 satine finish, 8 LT
- + 0704M Stainless Steel 430 satine finish, 12 LT
- + 0705M Stainless Steel 430 satine finish, 16 LT
- + 0706M Stainless Steel 304 satine finish, 20 LT

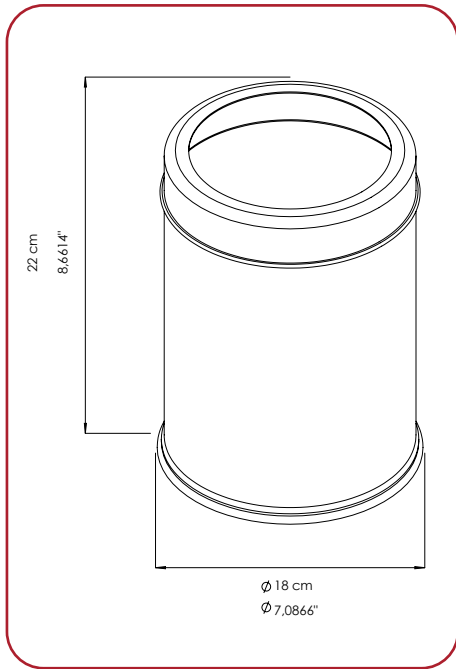
- + 0701MA Stainless Steel 304 satine finish, 3 LT
- + 0702MA Stainless Steel 304 satine finish, 5 LT
- + 0703MA Stainless Steel 304 satine finish, 8 LT
- + 0704MA Stainless Steel 304 satine finish, 12 LT
- + 0705MA Stainless Steel 304 satine finish, 16 LT
- + 0706MA Stainless Steel 304 satine finish, 20 LT

BIN REPLACEMENT REQUIREMENTS AND RECOMMENDATIONS

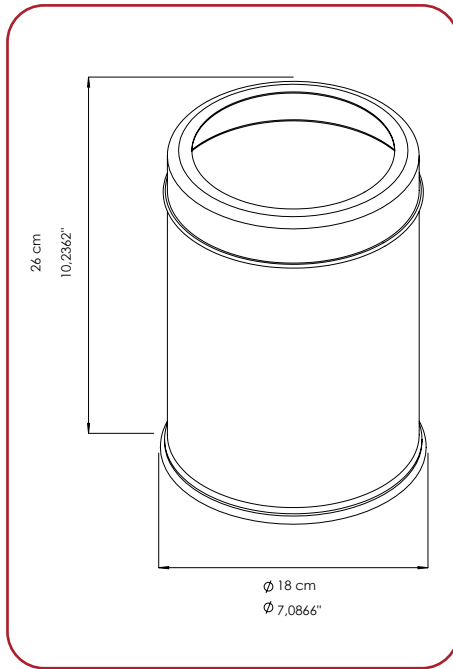
The following recommendations are intended to provide guidelines on the best possible placement of the bins. Because every location a bin is to be different, depending on customer site, physical size limitations, and available space, these recommendations may not always be entirely possible to follow. However, when placing a bin must meet ADA requirements and should promote ease of use and be in union with its surroundings. The bin should be level and the job results professional, presentable and fully functional.

AFTERCARE INSTRUCTIONS

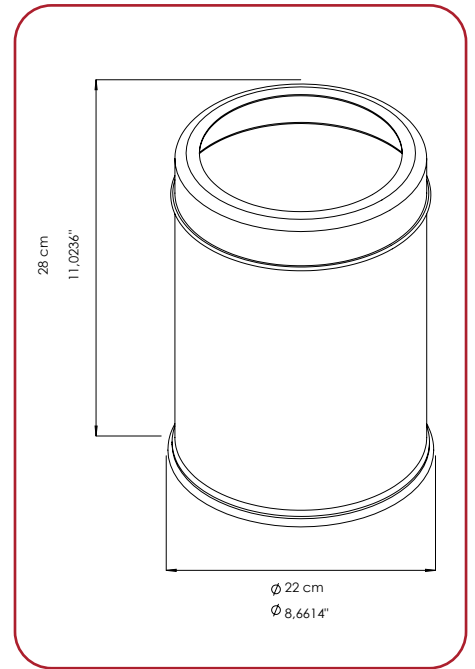
- + Regular cleaning with a soft cloth will keep the surface of your product looking new. Soapy water can be used to remove stubborn marks. Don't use abrasive or chemical cleaners as these may damage the surface finish over time.
- + Don't expose to sunlight.
- + Don't respond to the product with force against the possibility of damage, deformation.
- + Don't throw any cigarettes and flammable materials into the product.



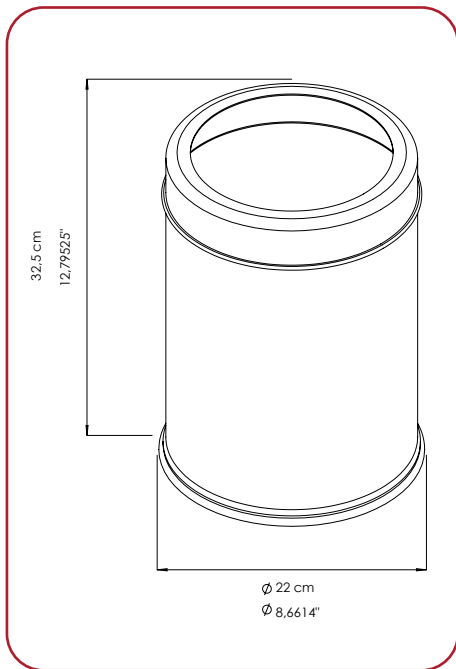
0701



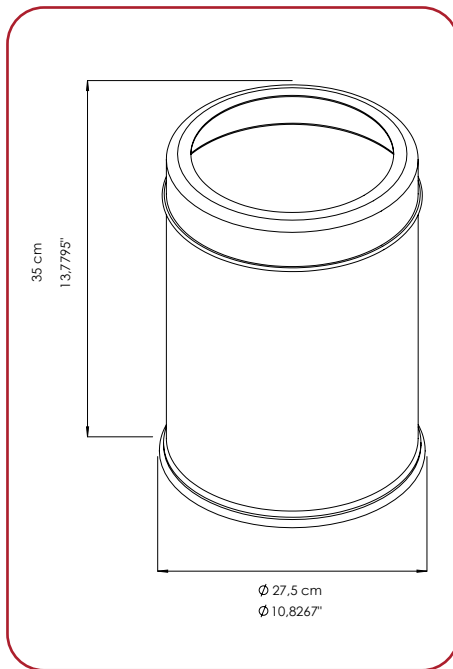
0702



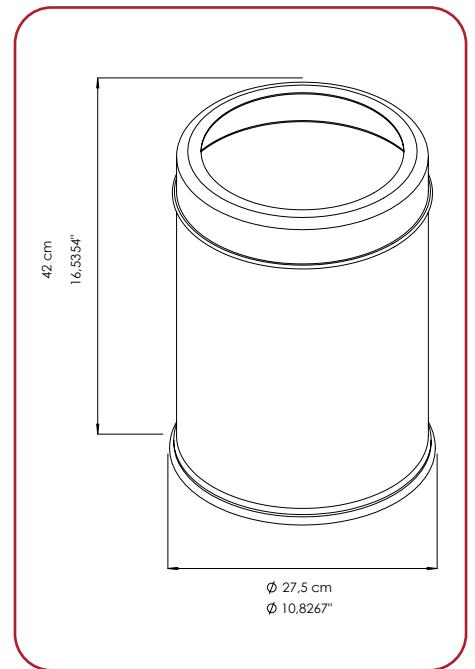
0703



0704



0705



0706

PRODUCT CODE	LITER	PRODUCT DIMEN.	CARTON DIMEN.	CARTON WEIGHT	INBOX QUANTITY	PALLET QUANTITY	GROSS PALLET DIMEN.	GROSS PALLET WEIGHT
0701	3 L	18x22 cm	75x41x54 cm	11 kg	12	144	80x120x230 cm	147 kg
0702	5 L	18x26 cm	71x41x63 cm	12,3 kg	12	108	80x120x205 cm	126 kg
0703	8 L	22x28 cm	77x55x68 cm	17,5 kg	12	72	80x120x220 cm	120 kg
0704	12 L	22x32,5 cm	77x55x76 cm	19 kg	12	60	80x120x225 cm	110 kg
0705	16 L	27,5x35 cm	63x62x41 cm	8,7 kg	4	40	80x120x220 cm	102 kg
0706	20 L	27,5x42 cm	63x62x47 cm	9,8 kg	4	32	80x120x205 cm	94 kg