

# 0742 / 0742A

## Fireresistant Waste Bin



0742

### GENERAL DESCRIPTION

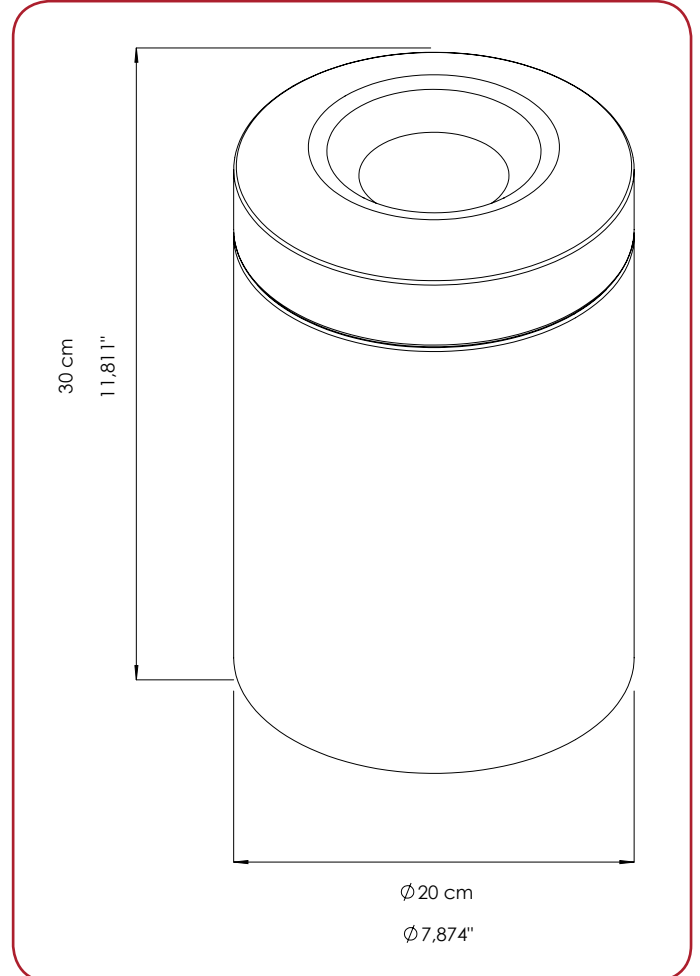
- + Fire resistant waste bin made with stainless steel 304 S.S and 430 S.S. 0.50 mm thickness.
- + Available in tonly one finish (bright )
- + Useful for the public areas.
- + Fire resistant lid system.

### COMPONENTS AND MATERIAL

- + 0742 Stainless Steel 304 bright finish, 7 LT
- + 0742A Stainless Steel 430 bright finish, 7 LT

### BIN REPLACEMENT REQUIREMENTS AND RECOMMENDATIONS

The following recommendations are intended to provide guidelines on the best possible placement of the bins. Because every location a bin is to be different, depending on customer site, physical size limitations, and available space, these recommendations may not always be entirely possible to follow. However, when placing a bin must meet ADA requirements and should promote ease of use and be in union with its surroundings. The bin should be level and the job results professional, presentable and fully functional.



### AFTERCARE INSTRUCTIONS

- + Regular cleaning with a soft cloth will keep the surface of your product looking new. Soapy water can be used to remove stubborn marks. Dont use abrasive or chemical cleaners as thsesse may damage the surface finish over time.
- + Don't expose to sunlight.
- + Don't respond to the product with force against the possibility of damnification, deformation.
- + Don't throw any cigarettes and flammable materials into the product.



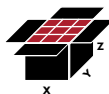
PRODUCT  
CODE  
0742



LITER  
7 L



PRODUCT  
DIMEN.  
20x30 cm



CARTON  
DIMEN.  
67x54x62 cm



CARTON  
WEIGHT  
13 kg



INBOX  
QUANTITY  
12



PALLET  
QUANTITY  
72



GROSS PALLET  
DIMEN.  
80x120x180 cm



GROSS PALLET  
WEIGHT  
78 kg