

0801 / 0802 / 0803 / 0804

Industrial Bins



0802

GENERAL DESCRIPTION

- + Industrial bin made with stainless steel 304 S.S and 430 S.S. 0.60 mm thickness.
- + Available in only bright finish.
- + Useful for the public areas.
- + Double metal pedal system.
- + Movable wheel system.

COMPONENTS AND MATERIAL AND CAPACITY

- + 0801A Stainless Steel 430 bright finish, 40 LT
- + 0802A Stainless Steel 430 bright finish, 50 LT
- + 0803A Stainless Steel 430 bright finish, 70 LT
- + 0804A Stainless Steel 430 bright finish, 90 LT
- + 0801 Stainless Steel 304 bright finish, 40 LT
- + 0802 Stainless Steel 304 bright finish, 50 LT
- + 0803 Stainless Steel 304 bright finish, 70 LT
- + 0804 Stainless Steel 304 bright finish, 90 LT

BIN REPLACEMENT REQUIREMENTS AND RECOMMENDATIONS

The following recommendations are intended to provide guidelines on the best possible placement of the bins. Because every location a bin is to be different, depending on customer site, physical size limitations, and available space, these recommendations may not always be entirely possible to follow. However, when placing a bin must meet ADA requirements and should promote ease of use and be in union with its surroundings. The bin should be level and the job results professional, presentable and fully functional.



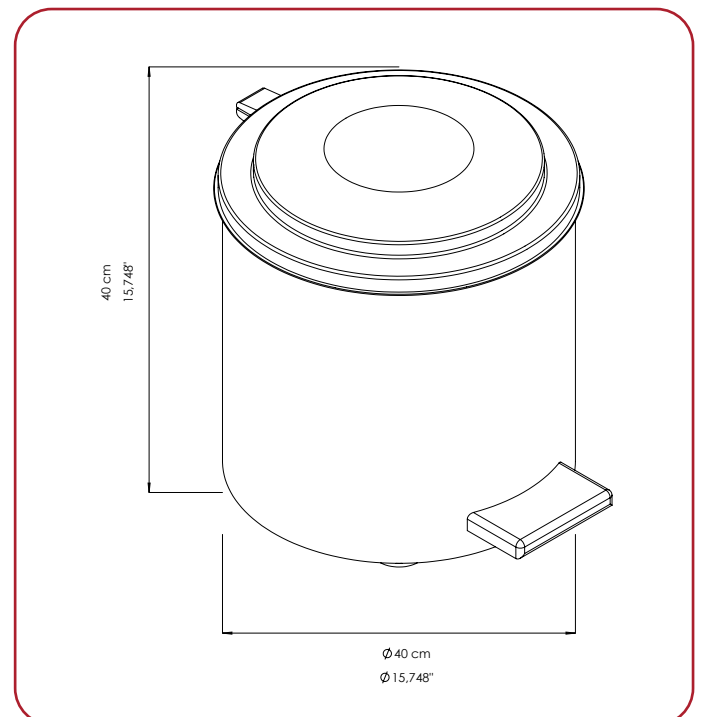
Extra inner bin



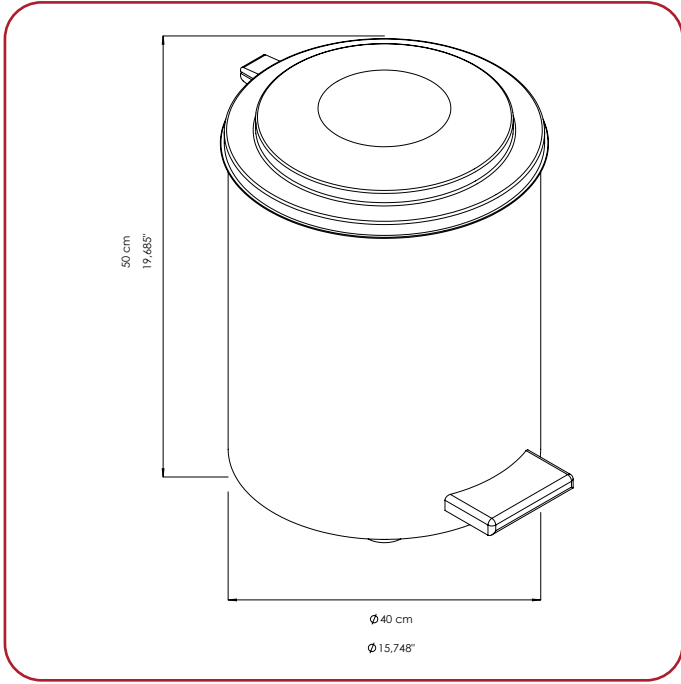
Pedal lid system

AFTERCARE INSTRUCTIONS

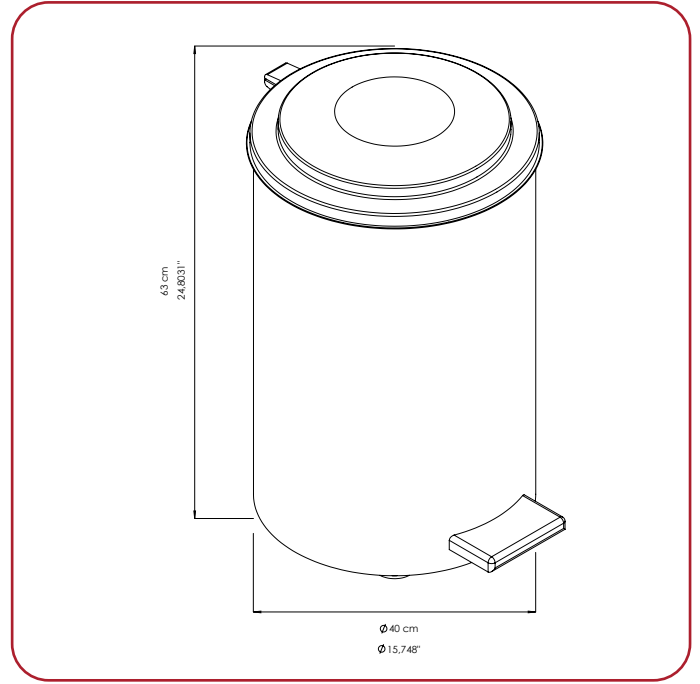
- + Regular cleaning with a soft cloth will keep the surface of your product looking new. Soapy water can be used to remove stubborn marks. Don't use abrasive or chemical cleaners as these may damage the surface finish over time.
- + Don't expose to sunlight.
- + Don't respond to the product with force against the possibility of damage, deformation.
- + Don't throw any cigarettes and flammable materials into the product.



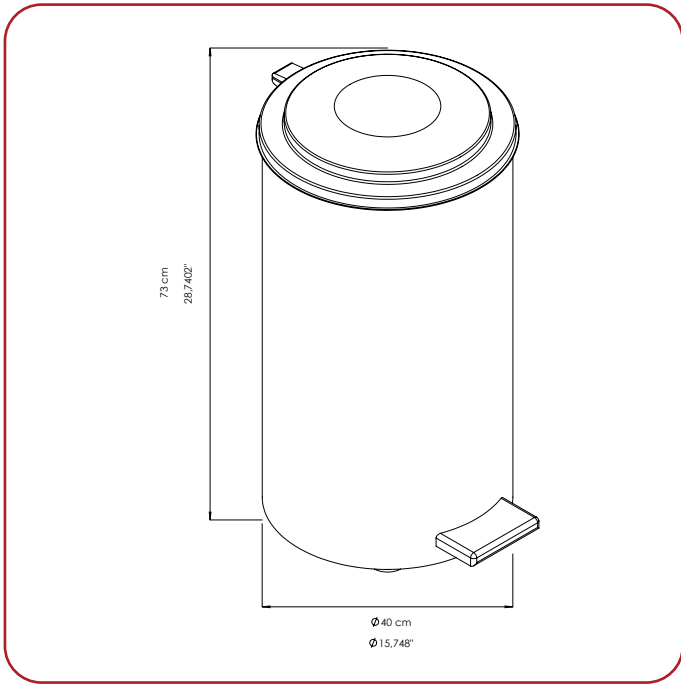
0801



0802



0803



0804

PRODUCT CODE	LITER	PRODUCT DIMEN.	CARTON DIMEN.	CARTON WEIGHT	INBOX QUANTITY	PALLET QUANTITY	GROSS PALLET DIMEN.	GROSS PALLET WEIGHT
0801	40 L	40x40 cm	48x48x48 cm	6,20 kg	1	8	80x120x210 cm	65 kg
0802	50 L	40x50 cm	48x48x58 cm	7,50 kg	1	8	80x120x210 cm	75 kg
0803	70 L	40x63 cm	48x48x74 cm	8,60 kg	1	8	80x120x210 cm	85 kg
0804	90 L	40x73 cm	48x48x81 cm	10,50 kg	1	8	80x120x210 cm	100 kg