

0854 / 0854S / 0854W / 0854SW / 0853B / 0854SB

Push Lid Bin



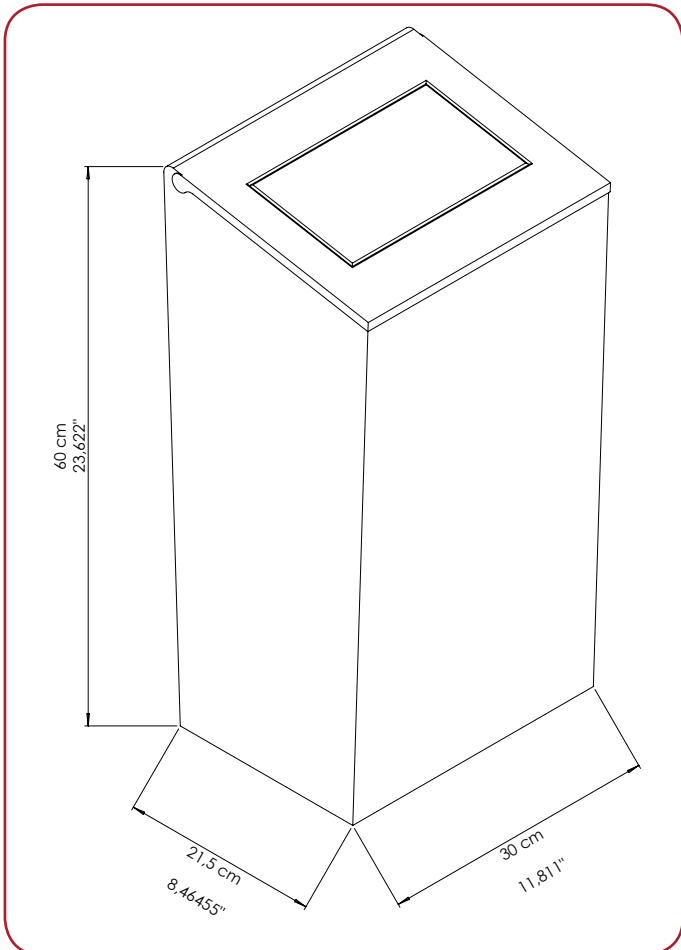
0854



0854W



0854B



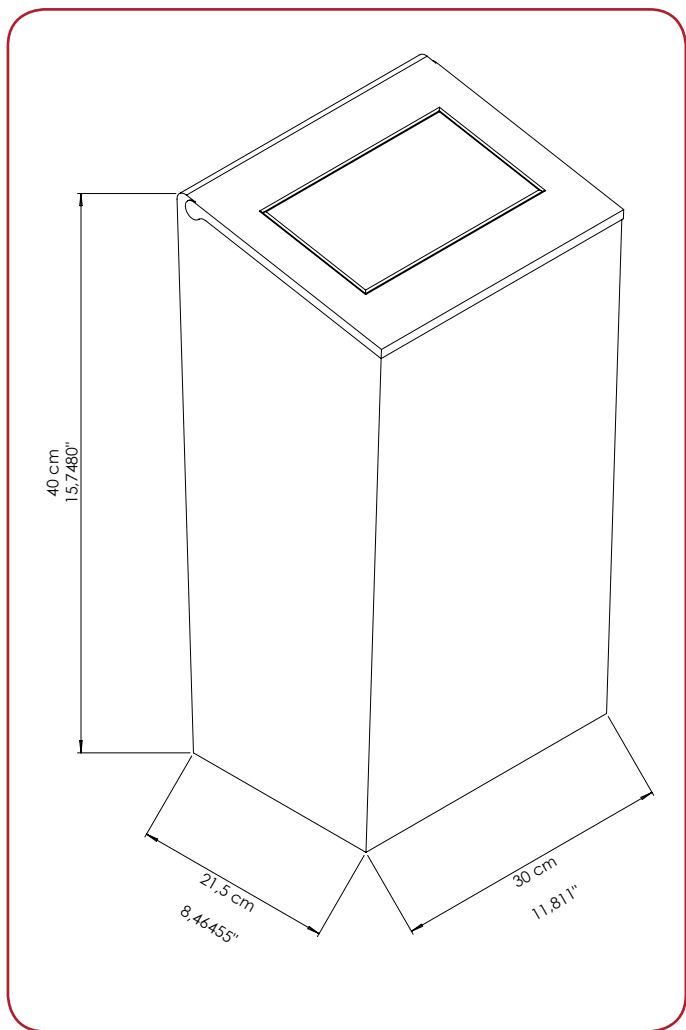
0854

GENERAL DESCRIPTION

- + Push Lid Bin made with stainless steel 304 S.S and 430 S.S. 0.70 mm thickness.
- + Available in four type of finishes (white, black, bright and satine)
- + Useful for the public areas.
- + Movable lid system.
- + It is mounted with four steel 4 mm screws (provided in the box) with their 8 mm plastic plugs (also provided).

COMPONENTS AND MATERIAL

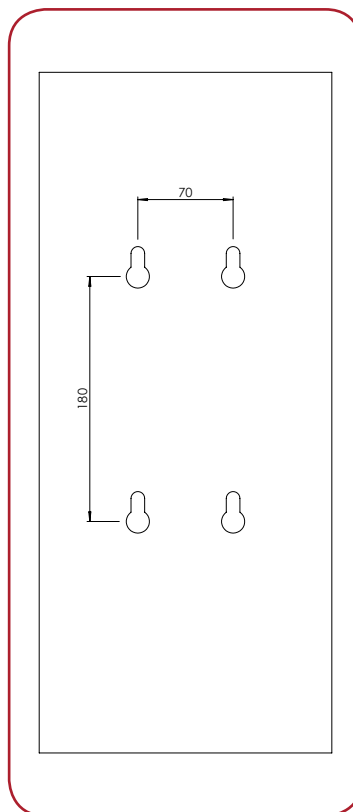
- + 0854S Stainless Steel 430 satine finish , 25 LT
- + 0854SP Stainless Steel 430 bright finish , 25 LT
- + 0854SA Stainless Steel 304 satine finish , 25 LT
- + 0854SAP Stainless Steel 304 bright finish , 25 LT
- + 0854SW Steel, white powder coated , 25 LT
- + 0854SB Steel ,black powder coated , 25 LT
- + 0854 Stainless Steel 430 satine finish , 38 LT
- + 0854P Stainless Steel 430 bright finish , 38 LT
- + 0854A Stainless Steel 304 satine finish , 38 LT
- + 0854AP Stainless Steel 304 bright finish , 38 LT
- + 0854W Steel, white powder coated , 38 LT
- + 0854B Steel ,black powder coated , 38 LT



0854S

INSTALLATION

- + First measure out where the lid dispenser will be placed , mark four holes and drill into the wall.
- + Insert the provided wall plugs and screw in the top two screws, leaving a slight gap for the dispenser to slot onto.
- + Open the dispenser lock before mounting the dispenser to the wall.
- + Slot the dispenser onto the two previously fixed screws and then screw final two screws.



MOUNTING TEMPLATE

Should be minimum 30 cm high from the floor.

DISPENSER REPLACEMENT REQUIREMENTS AND RECOMMENDATIONS

The following recommendations are intended to provide guidelines on the best possible placement of the dispensers. Because every location a dispenser is to be mounted is different, depending on customer site, physical size limitations, and available space, these recommendations may not always be entirely

possible to follow. However, when placing a dispenser installation must meet ADA requirements and should promote ease of use and be in union with its surroundings. Upon installation, the dispenser should be level and the job results professional, presentable and fully functional.

AFTERCARE INSTRUCTIONS

- + Regular cleaning with a soft cloth will keep the surface of your product looking new. Soapy water can be used to remove stubborn marks. Dont use abrasive or chemical cleaners as thsesse may damage the surface finish over time.
- + Don't expose to sunlight.
- + Don't respond to the product with force against the possibility of damnification, deformation.
- + Don't throw any cigarettes and flammable materials into the product.

PRODUCT CODE	LITER	PRODUCT DIMEN.	CARTON DIMEN.	CARTON WEIGHT	INBOX QUANTITY	PALLET QUANTITY	GROSS PALLET DIMEN.	GROSS PALLET WEIGHT
0854S	25 L	21,5x30x40 cm	47x65x43 cm	12,5 kg	4	40	80x120x230 cm	140 kg
0854SW	25 L	21,5x30x40 cm	47x65x43 cm	12,5 kg	4	40	80x120x230 cm	140 kg
0854SB	25 L	21,5x30x40 cm	47x65x43 cm	12,5 kg	4	40	80x120x230 cm	140 kg
0854	38 L	21,5x30x60 cm	47x65x65 cm	23 kg	4	24	80x120x210 cm	153 kg
0854W	38 L	21,5x30x60 cm	47x65x65 cm	23 kg	4	24	80x120x210 cm	153 kg
0854B	38 L	21,5x30x60 cm	47x65x65 cm	23 kg	4	24	80x120x210 cm	153 kg