

0881 / 0882

Hygiene Equipments



0881



0882

GENERAL DESCRIPTION

- + These units made with stainless steel 304 S.S 0.70 mm thickness.
- + Available in only satine finish.
- + Useful for the public areas.
- + Good for disposable galosh or mask and cap storage.
- + It is mounted with three steel 4 mm screws (provided in the box) with their 8 mm plastic plugs (also provided) (For each unit)

COMPONENTS AND MATERIAL

- + 0881 Stainless Steel 304 satine finish
- + 0882 Stainless Steel 304 satine finish

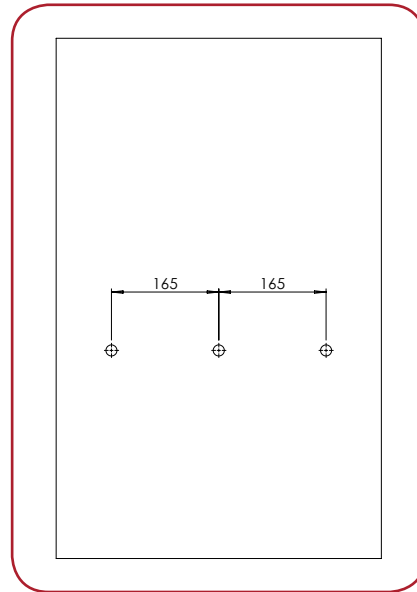
INSTALLATION

- + First measure out where the lid dispenser will be placed , mark three holes and drill into the wall.

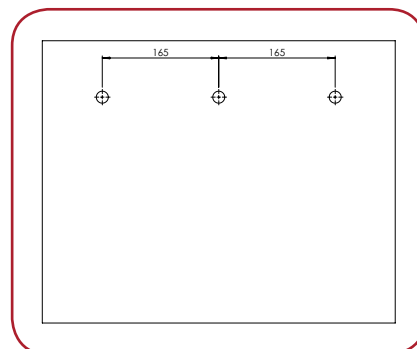
+ Insert the provided wall plugs and screw in the top two screws, leaving a slight gap for the dispenser to slot onto.

+ Open the dispenser lock before mounting the dispenser to the wall.

+ Slot the dispenser onto the two previously fixed screws and then screw final one screw.



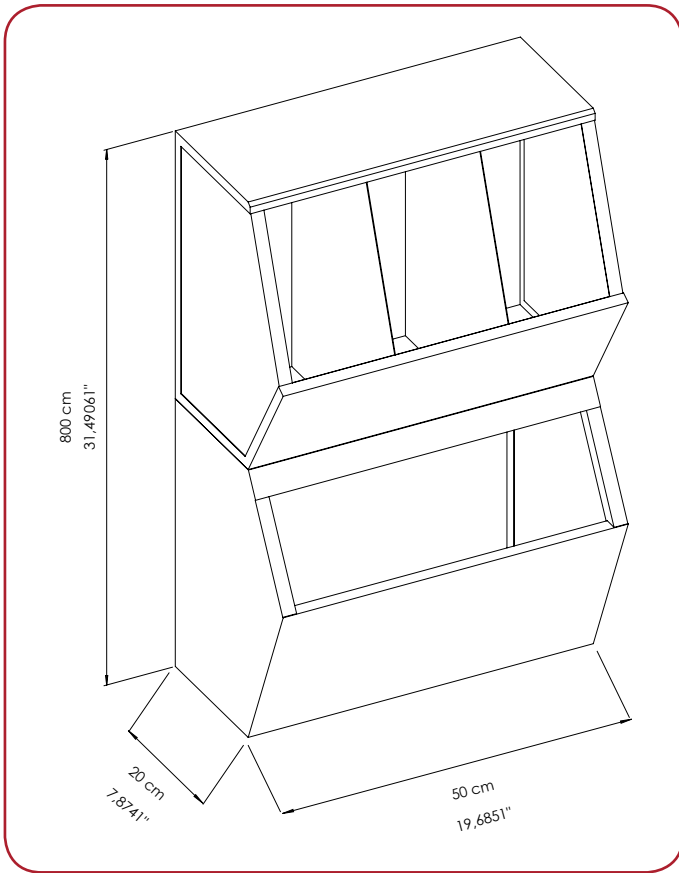
0881



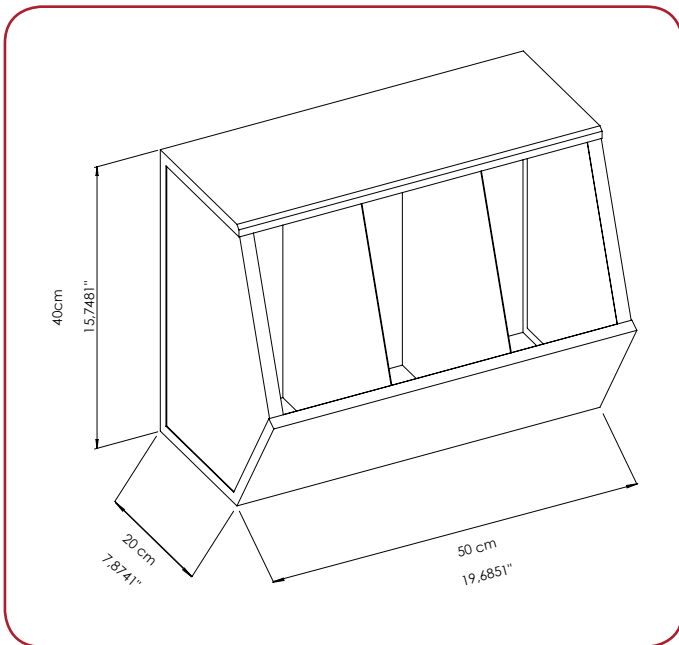
0882

MOUNTING TEMPLATE

Should be minimum 100 cm high from the floor.



0881



0882

DISPENSER REPLACEMENT REQUIREMENTS AND RECOMMENDATIONS

The following recommendations are intended to provide guidelines on the best possible placement of the dispensers. Because every location a dispenser is to be mounted is different, depending on customer site, physical size limitations, and available space, these recommendations may not always be entirely possible to follow. However, when placing a dispenser installation must meet ADA requirements and should promote ease of use and be in union with its surroundings. Upon installation, the dispenser should be level and the job results professional, presentable and fully functional.

AFTERCARE INSTRUCTIONS

- + Regular cleaning with a soft cloth will keep the surface of your product looking new. Soapy water can be used to remove stubborn marks. Dont use abrasive or chemical cleaners as thsesse may damage the surface finish over time.
- + Don't expose to sunlight.
- + Don't respond to the product with force against the possibility of damnification, deformation.
- + Don't throw any cigarettes and flammable materials into the product.



PRODUCT CODE
0881
0882



PRODUCT DIMEN.
50x20x80 cm
50x20x40 cm



CARTON DIMEN.
61x45x43
61x45x43



CARTON WEIGHT
13,5 kg
12,5 kg



INBOX QUANTITY
1
2



PALLET QUANTITY
15
30



GROSS PALLET DIMEN.
80x120x190 cm
80x120x190 cm



GROSS PALLET WEIGHT
203 kg
218 kg