

0909 / 0910 / 0911

Toilet Waste Units



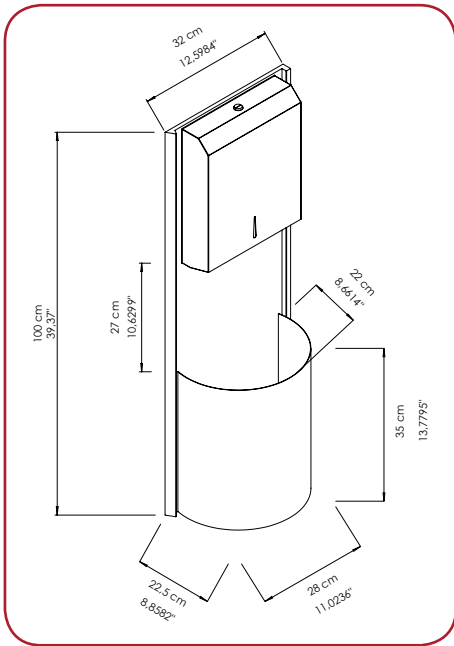
0909



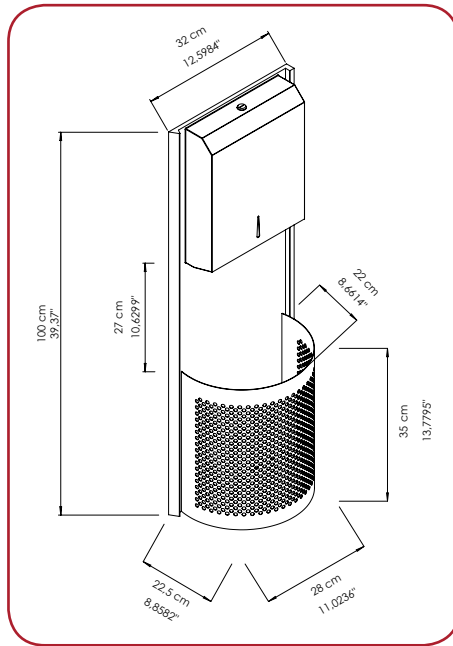
0910



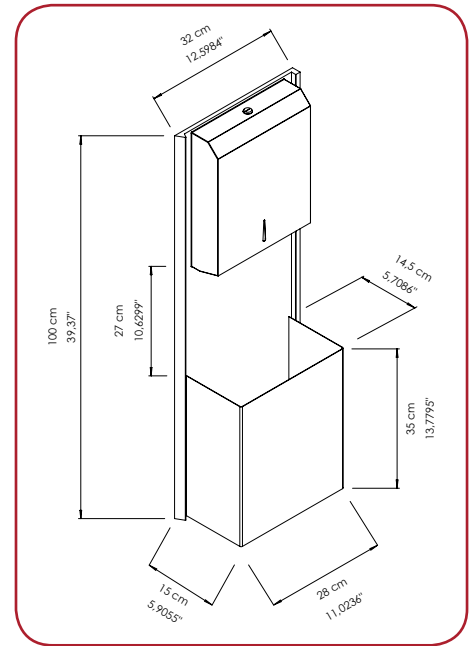
0911



0909



0910



0911

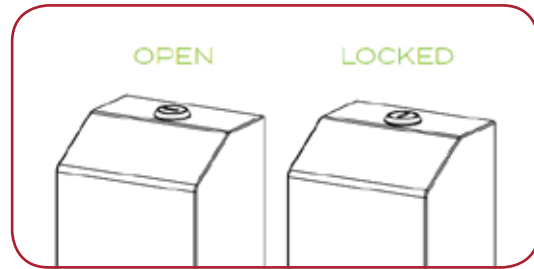
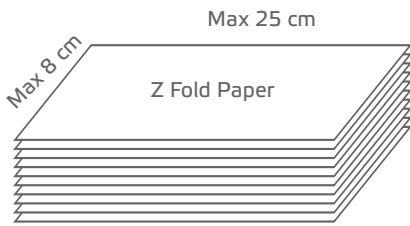
GENERAL DESCRIPTION

- + Toilet waste units made with stainless steel 304 S.S 0.70 (the dispenser) & 0.80 mm.
- + Available in only finish satine.
- + Useful for the public areas.
- + It is mounted with six steel 4 mm screws (provided in

- the box) with their 8 mm plastic plugs (also provided)
- + Metal lock system is exist to protect the paper inside clean and safe.
- + The capacity of the z fold paper that used for the toilet waste unit is 400 pieces.
- + The bin capacity is 23 Lt.

COMPONENTS AND MATERIAL

- + 0909 -Stainless Steel 304 satine finish
- + 0910- Stainless Steel 304 satine finish
- + 0911 -Stainless Steel 304 satine finish



INSTALLATION

- + First measure out where the dipenser will be placed, mark six holes and drill into the wall.
- + Insert the provided wall plugs and screw in the top two screws, then the other vertical two screws leaving a slight gap for the dipenser to slot onto.
- + Open the dispenser lock before mounting the dipenser to the wall.
- + Slot the dipenser onto the two previously fixed screws and then screw final two screws.
- + Once the dipenser is secure, you can close the lid.

MOUNTING TEMPLATE

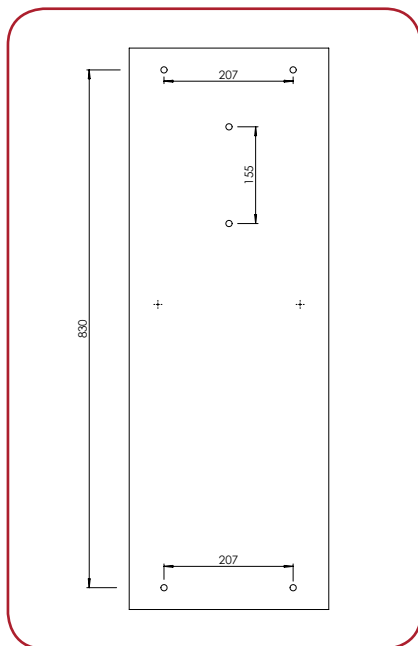
Should be minimum 100 cm high from the floor.

DISPENSER REPLACEMENT REQUIREMENTS AND RECOMMENDATIONS

The following recommendations are intended to provide guidelines on the best possible placement of the dispensers. Because every location a dipenser is to be mounted is different, depending on customer site, physical size limitations, and available space, these recommendations may not always be entirely possible to follow. However, when placing a dipenser installation must meet ADA requirements and should promote ease of use and be in union with its surroundings. Upon installation, the dipenser should be level and the job results professional, presentable and fully functional.

AFTERCARE INSTRUCTIONS

- + Regular cleaning with a soft cloth will keep the surface of your product looking new. Soapy water can be used to remove stubborn marks. Dont use abrasive or chemical cleaners as these may damage the surface finish over time.
- + Don't expose to sunlight.
- + Don't respond to the product with force against the possibility of damnification, deformation.
- + Don't throw any cigarettes and flammable materials into the product.



0909 / 0910 / 0911

PRODUCT CODE	LITER	PRODUCT DIMEN.	CARTON DIMEN.	CARTON WEIGHT	INBOX QUANTITY	PALLET QUANTITY	GROSS PALLET DIMEN.	GROSS PALLET WEIGHT
0909	23 L	35x15x100 cm	26x36x100 cm	7 kg	1	14	80x120x200 cm	115 kg
0910	23 L	35x15x100 cm	26x36x100 cm	6 kg	1	14	80x120x200 cm	100 kg
0911	23 L	35x15x100 cm	26x36x100 cm	13,5 kg	2	28	80x120x200 cm	205 kg