

0911C / 0911CW / 0911CB / 0911CH

Wall Mounted Bins with Lid



0911C



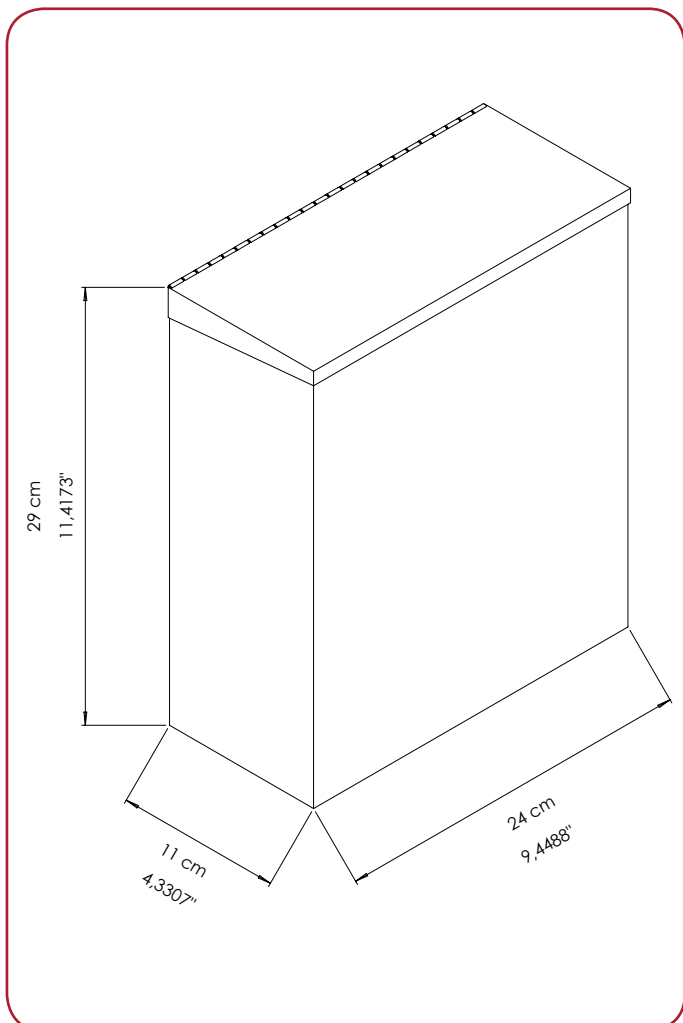
0911CW



0911CB



0911CH



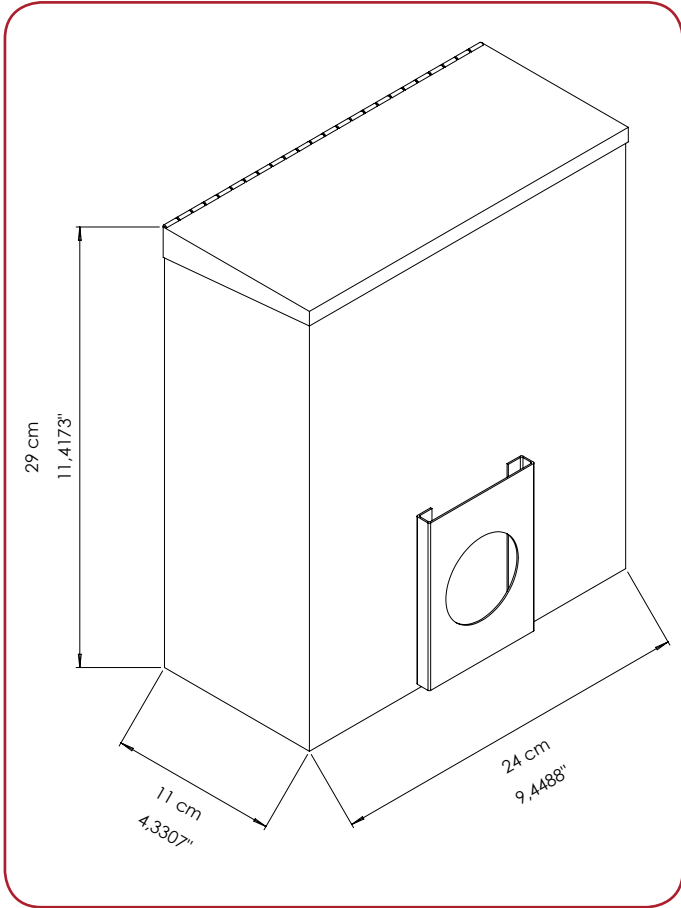
0911C

GENERAL DESCRIPTION

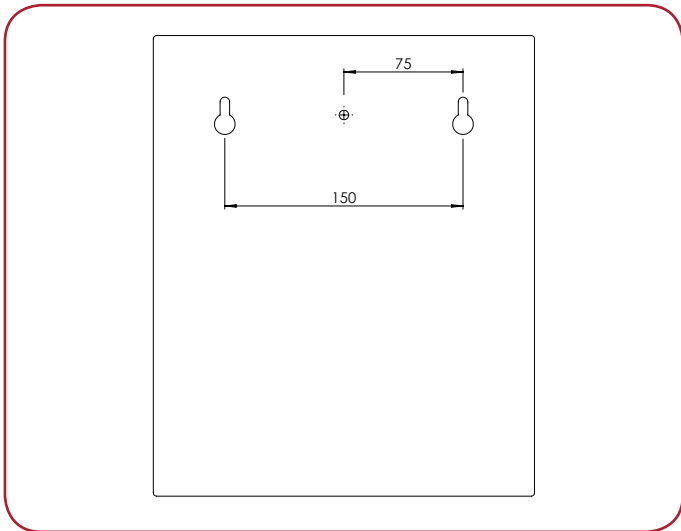
- + Wall mounted bins with lid made with stainless steel 304 S.S and 430 S.S. 0.70 mm thickness.
- + Available in four type of finishes (white, black, bright and satine)
- + Useful for the public areas.
- + Open/Close lid system.
- + It is mounted with two steel 4 mm screws (provided in the box) with their 8 mm plastic plugs (also provided)
- + 0911CH includes stainless steel hygienic bag on the front surface of the bin.

COMPONENTS AND MATERIAL

- + 0911C Stainless Steel 430 satine finish, 7 LT
- + 0911CP Stainless Steel 430 bright finish, 7 LT
- + 0911CA Stainless Steel 304 satine finish, 7 LT
- + 0911CAP Stainless Steel 304 bright finish, 7 LT
- + 0911CW Steel, white powder coated, 7 LT
- + 0911CB Steel, black powder coated, 7 LT
- + 0911CH Stainless Steel 430 satine finish, 7 LT



0911CH



INSTALLATION

- + First measure out where the lid dispenser will be placed, mark two holes and drill into the wall.
- + Insert the provided wall plugs and screw in the top left one screw, leaving a slight gap for the dispenser to slot onto.
- + Slot the dispenser onto the previously fixed screw and then screw final one screw.

MOUNTING TEMPLATE

Should be minimum 40 cm high from the floor.

DISPENSER REPLACEMENT REQUIREMENTS AND RECOMMENDATIONS

The following recommendations are intended to provide guidelines on the best possible placement of the dispensers. Because every location a dispenser is to be mounted is different, depending on customer site, physical size limitations, and available space, these recommendations may not always be entirely possible to follow. However, when placing a dispenser installation must meet ADA requirements and should promote ease of use and be in union with its surroundings. Upon installation, the dispenser should be level and the job results professional, presentable and fully functional.

AFTERCARE INSTRUCTIONS

- + Regular cleaning with a soft cloth will keep the surface of your product looking new. Soapy water can be used to remove stubborn marks. Dont use abrasive or chemical cleaners as thsesse may damage the surface finish over time.
- + Don't expose to sunlight.
- + Don't respond to the product with force against the possibility of damnification, deformation.
- + Don't throw any cigarettes and flammable materials into the product.

PRODUCT CODE	LITER	PRODUCT DIMEN.	CARTON DIMEN.	CARTON WEIGHT	INBOX QUANTITY	PALLET QUANTITY	GROSS PALLET DIMEN.	GROSS PALLET WEIGHT
0911C	7 L	24x11x29 cm	27x65x30	7,50 kg	4	140	80x120x225 cm	278 kg
0911CW	7 L	24x11x29 cm	27x65x30	7,50 kg	4	140	80x120x225 cm	278 kg
0911CB	7 L	24x11x29 cm	27x65x30	7,50 kg	4	140	80x120x225 cm	278 kg
0911CH	7 L	24x11x29 cm	27x65x30	7,50 kg	4	140	80x120x225 cm	278 kg