

0915

# Counter Mirror Z Fold Paper Dispenser



0915

## GENERAL DESCRIPTION

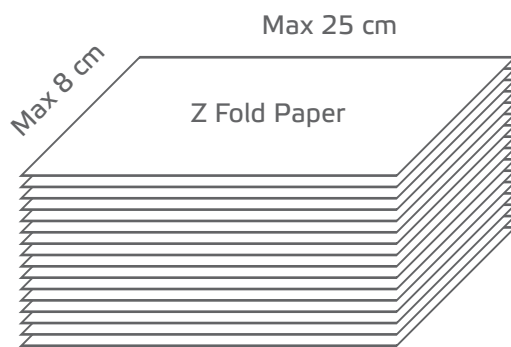
- + Counter mirror paper dispenser made with stainless steel 304 S.S 0.70 mm thickness.
- + Available in only satine finish.
- + It is installed to the conter mirror.
- + Useful for the public areas.
- + It is mounted with six steel 4 mm screws (provided in the box) with their 8 mm plastic plugs (also provided)
- + Paper can be loaded from the opening of the dispenser in the bottom.

## COMPONENTS AND MATERIAL

- + 0915-Stainless Steel 304 satine finish

## INSTALLATION

- + First measure out where the dispenser will be placed, mark two holes to the top and drill into the wall.
- + Insert the provided wall plugs and screw in the top two screws, leaving a slight gap for the dispenser to slot onto.
- + Slot the dispenser onto the two previously fixed screws and then screw final four screws at the right and left side.



## MOUNTING TEMPLATE

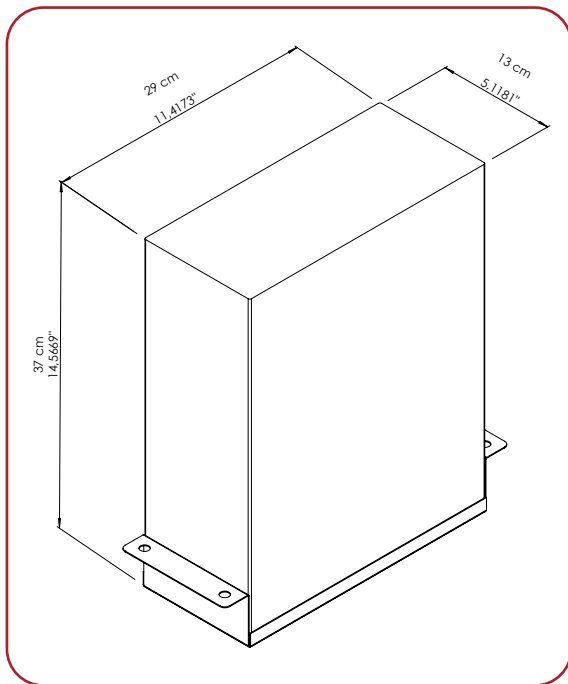
Should be minimum 150 cm high from the floor.

## DISPENSER REPLACEMENT REQUIREMENTS AND RECOMMENDATIONS

The following recommendations are intended to provide guidelines on the best possible placement of the dispensers. Because every location a dispenser is to be mounted is different, depending on customer site, physical size limitations, and available space, these recommendations may not always be entirely possible to follow. However, when placing a dispenser installation must meet ADA requirements and should promote ease of use and be in union with its surroundings. Upon installation, the dispenser should be level and the job results professional, presentable and fully functional.

## AFTERCARE INSTRUCTIONS

- + Regular cleaning with a soft cloth will keep the surface of your product looking new. Soapy water can be used to remove stubborn marks. Don't use abrasive or chemical cleaners as these may damage the surface finish over time.
- + Don't expose to sunlight.
- + Don't respond to the product with force against the possibility of damage, deformation.
- + Don't throw any cigarettes and flammable materials into the product.



PRODUCT  
CODE

0915



LITER

800 pcs



PRODUCT  
DIMEN.

29x13x37 cm



CARTON  
DIMEN.

39x78x48 cm



CARTON  
WEIGHT

17 kg



INBOX  
QUANTITY

5



PALLET  
QUANTITY

100



GROSS PALLET  
DIMEN.

80x120x220 cm



GROSS PALLET  
WEIGHT

340 kg

TECHNICAL DATA SHEET