

0948 / 0948W / 0948B

New Toilet Brush



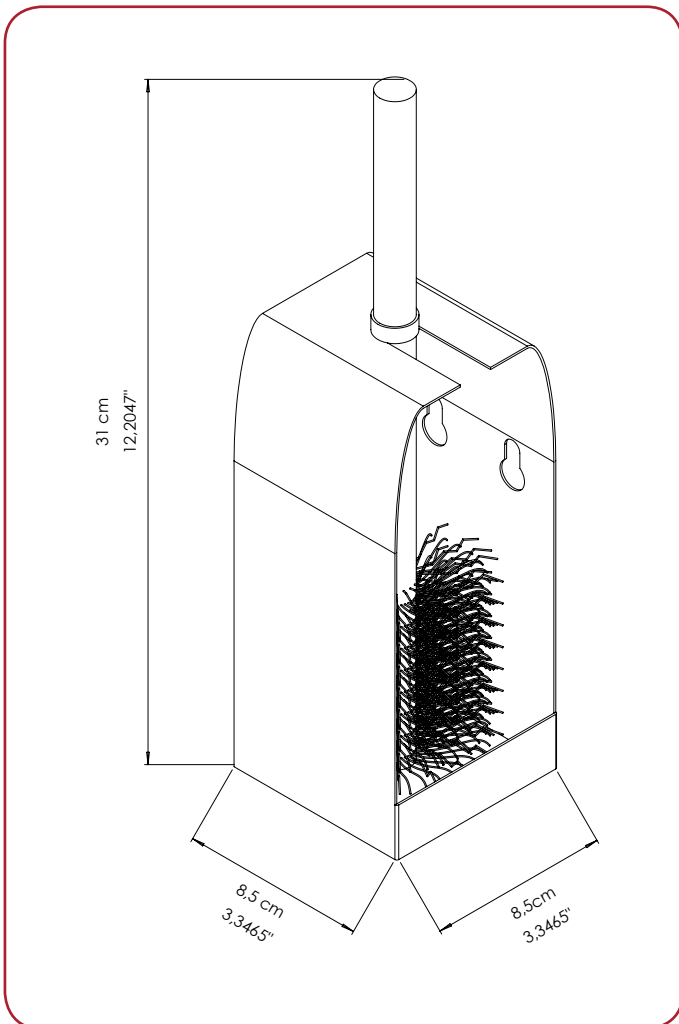
0948



0948W



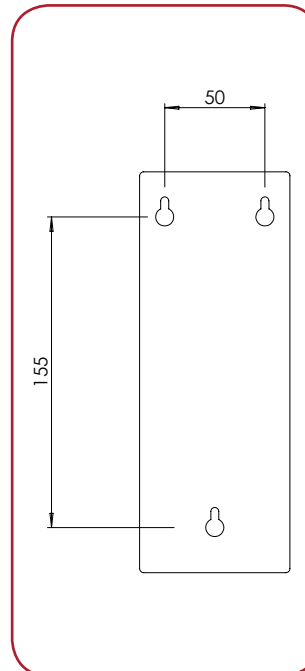
0948B



0948

GENERAL DESCRIPTION

- + New toilet brush made with stainless steel 304 S.S. and 430 S.S. 0.50 thickness.
- + Available in three type of finishes (satine, black and white)
- + Useful for the public areas.
- + It is mounted with two steel 4 mm screws (provided in the box) with their 8 mm plastic plugs (also provided)



0948

COMPONENTS AND MATERIAL

- + 0948A Stainless Steel 430 satine finish
- + 0948 Stainless Steel 304 satine finish
- + 0948W Steel, white powder coated
- + 0948B Steel, black powder coated

INSTALLATION

- + First measure out where the dispenser will be placed, mark two holes and drill into the wall.
- + Insert the provided wall plugs and screw in the top one screw, leaving a slight gap for the dispenser to slot onto.

- + Take out the brush before mounting the dispenser to the wall.
- + Slot the dispenser onto the previously fixed screw and then screw final one screw.
- + Once the dispenser is secure, put the brush inside.

MOUNTING TEMPLATE

Should be minimum 60 cm high from the floor.

DISPENSER REPLACEMENT REQUIREMENTS AND RECOMMENDATIONS

The following recommendations are intended to provide guidelines on the best possible placement of the dispensers. Because every location a dispenser is to be mounted is different, depending on customer site, physical size limitations, and available space, these recommendations may not always be entirely possible to follow. However, when placing a dispenser installation must meet ADA requirements and should promote ease of use and be in union with its surroundings. Upon installation, the dispenser should be level and the job results professional, presentable and fully functional.

AFTERCARE INSTRUCTIONS

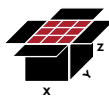
- + Regular cleaning with a soft cloth will keep the surface of your product looking new. Soapy water can be used to remove stubborn marks. Dont use abrasive or chemical cleaners as thsesse may damage the surface finish over time.
- + Don't expose to sunlight.
- + Don't respond to the product with force against the possibility of damnification, deformation.
- + Don't throw any cigarettes and flammable materials into the product.



PRODUCT CODE
0948
0948W
0948B



PRODUCT DIMEN.
8,5x8,5x31 cm
8,5x8,5x31 cm
8,5x8,5x31 cm



CARTON DIMEN.
36x36x40 cm
36x36x40 cm
36x36x40 cm



CARTON WEIGHT
19 kg
19 kg
19 kg



INBOX QUANTITY
32
32
32



PALLET QUANTITY
768
768
768



GROSS PALLET DIMEN.
80x120x175 cm
80x120x175 cm
80x120x175 cm



GROSS PALLET WEIGHT
471 kg
471 kg
471 kg