

D241 / D241A

Galosh Dispensers



D241



D241A

GENERAL DESCRIPTION

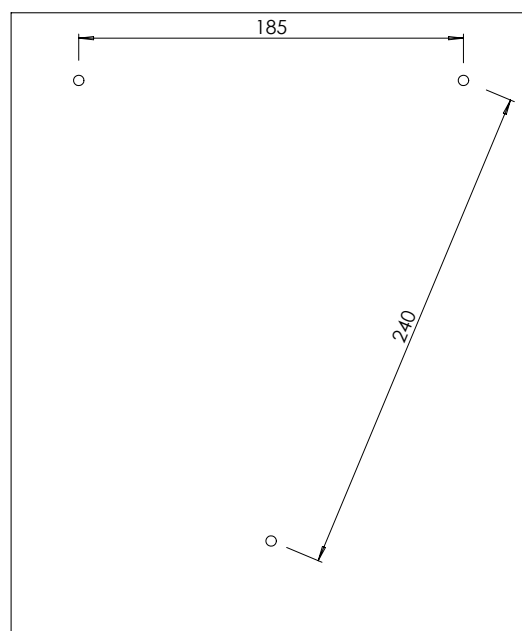
- + Galosh dispenser made with stainless steel 304 S.S 0.70 mm thickness.
- + Available in only satine finish.
- + Useful for the public areas.
- + Good for disposable galosh or mask and cap storage.
- + It is mounted with three steel 4 mm screws (provided in the box) with their 8 mm plastic plugs (also provided)

COMPONENTS AND MATERIAL

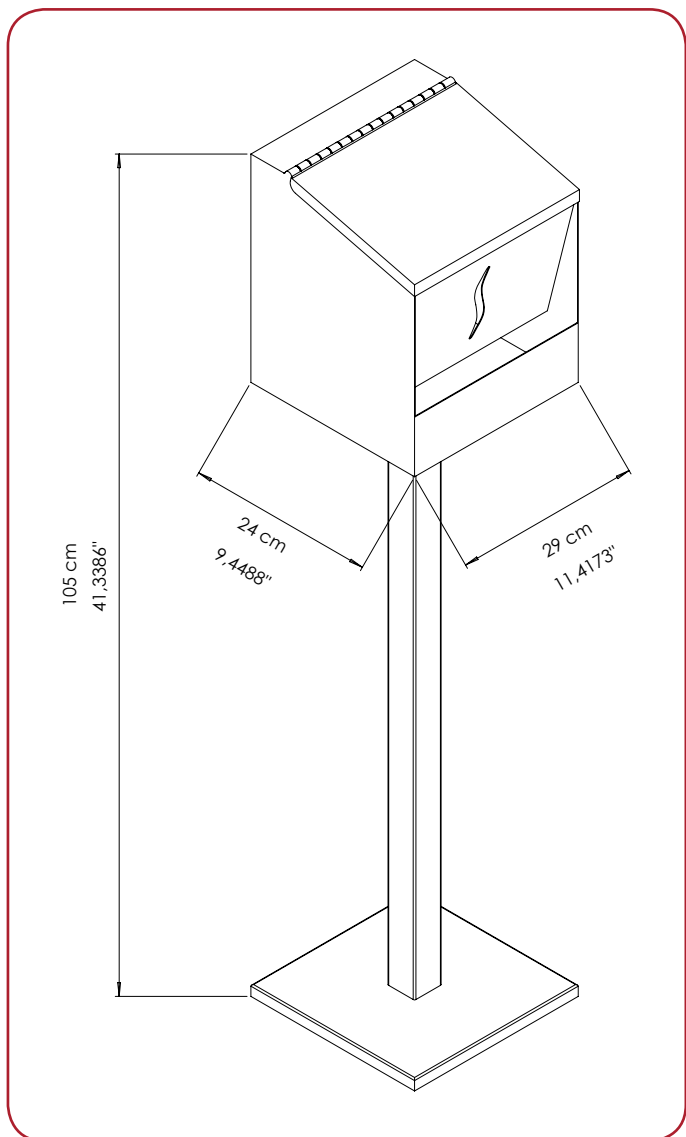
- + D241 Stainless Steel 304 satine finish
- + D241A Stainless Steel 304 satine finish

INSTALLATION

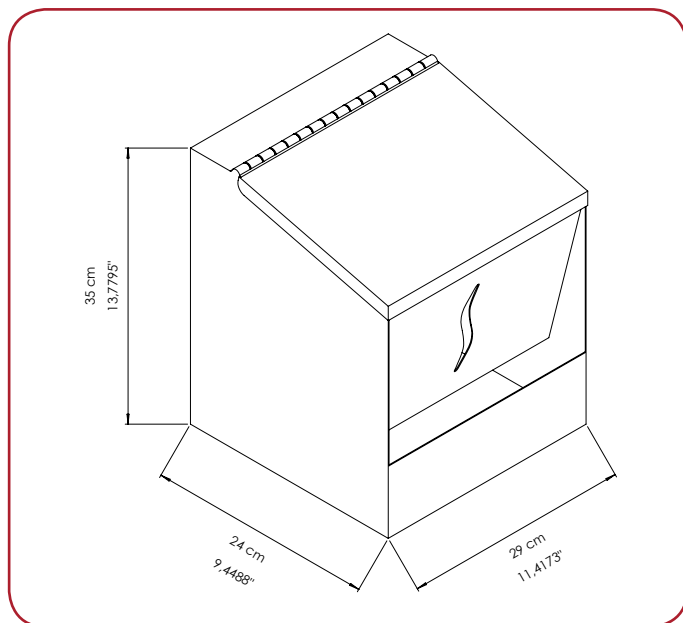
- + First measure out where the lid dispenser will be placed , mark three holes and drill into the wall.
- + Insert the provided wall plugs and screw in the top two screws, leaving a slight gap for the dispenser to slot onto.
- + Open the dispenser lock before mounting the dispenser to the wall.
- + Slot the dispenser onto the two previously fixed screws and then screw final one screw.



D241



D241A



D241

DISPENSER REPLACEMENT REQUIREMENTS AND RECOMMENDATIONS

The following recommendations are intended to provide guidelines on the best possible placement of the dispensers. Because every location a dispenser is to be mounted is different, depending on customer site, physical size limitations, and available space, these recommendations may not always be entirely possible to follow. However, when placing a dispenser installation must meet ADA requirements and should promote ease of use and be in union with its surroundings. Upon installation, the dispenser should be level and the job results professional, presentable and fully functional.

AFTERCARE INSTRUCTIONS

- + Regular cleaning with a soft cloth will keep the surface of your product looking new. Soapy water can be used to remove stubborn marks. Dont use abrasive or chemical cleaners as these may damage the surface finish over time.
- + Don't expose to sunlight.
- + Don't respond to the product with force against the possibility of damnification, deformation.
- + Don't throw any cigarettes and flammable materials into the product.



PRODUCT CODE
D241
D241A



PRODUCT DIMEN.
26x24x29 cm
26x24x107 cm



CARTON DIMEN.
73x53x32 cm
30x27x110 cm



CARTON WEIGHT
7 kg
10 kg



INBOX QUANTITY
4



PALLET QUANTITY
48
16



GROSS PALLET DIMEN.
80x120x210 cm
80x120x235 cm



GROSS PALLET WEIGHT
495 kg
127 kg