

D243 / D244

Gloves Dispensers



D243



D244

GENERAL DESCRIPTION

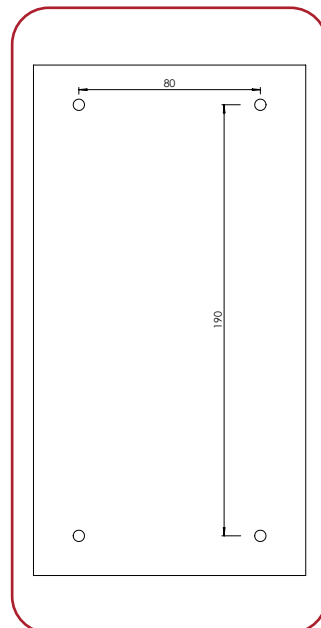
- + Gloves dispenser made with stainless steel 304 S.S 0.70 mm thickness.
- + Available in only satine finish.
- + Useful for the public areas.
- + Good for disposable gloves box.
- + Available for only one box capacity (D243) and for three sizes (D244).
- + It is mounted with four steel 4 mm screws (provided in the box) with their 8 mm plastic plugs (also provided)

COMPONENTS AND MATERIAL

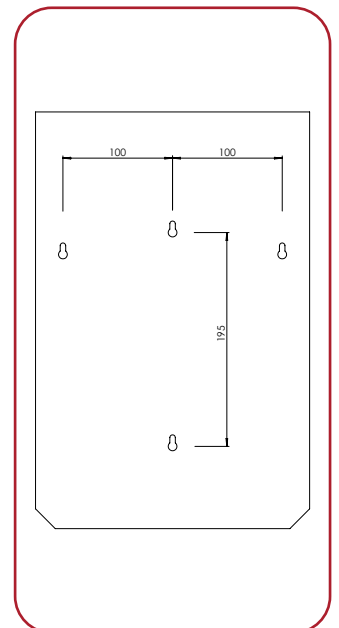
- + D243 Stainless Steel 304 satine finish
- + D244 Stainless Steel 304 satine finish

INSTALLATION

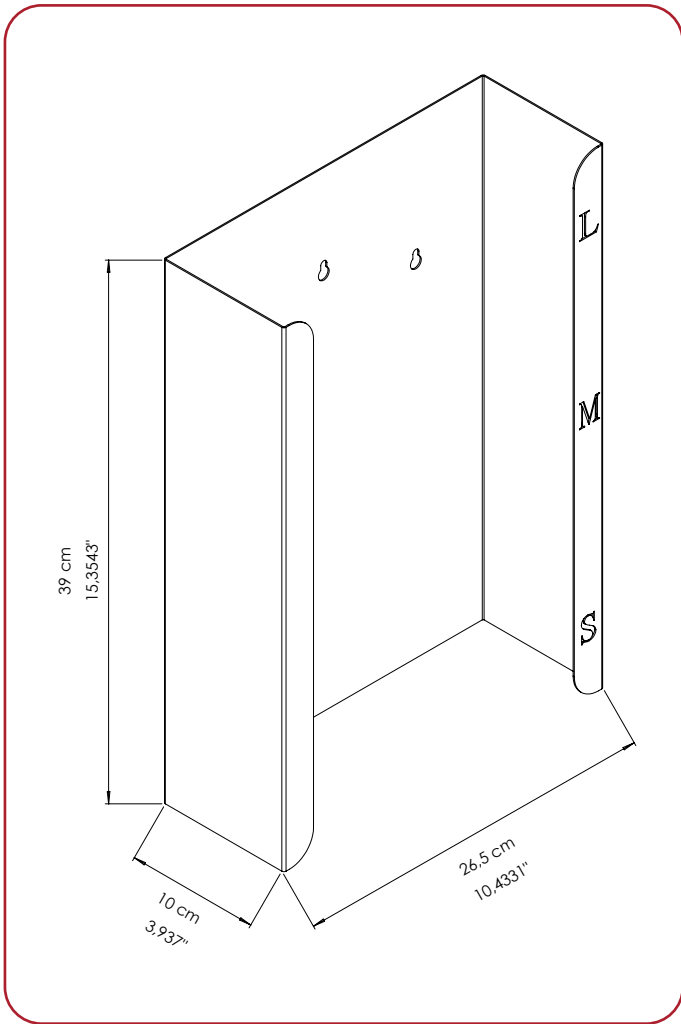
- + First measure out where the lid dispenser will be placed, mark four holes and drill into the wall.
- + Insert the provided wall plugs and screw in the top two screws, leaving a slight gap for the dispenser to slot onto.
- + Open the dispenser lock before mounting the dispenser to the wall.
- + Slot the dispenser onto the two previously fixed screws and then screw final two screws.



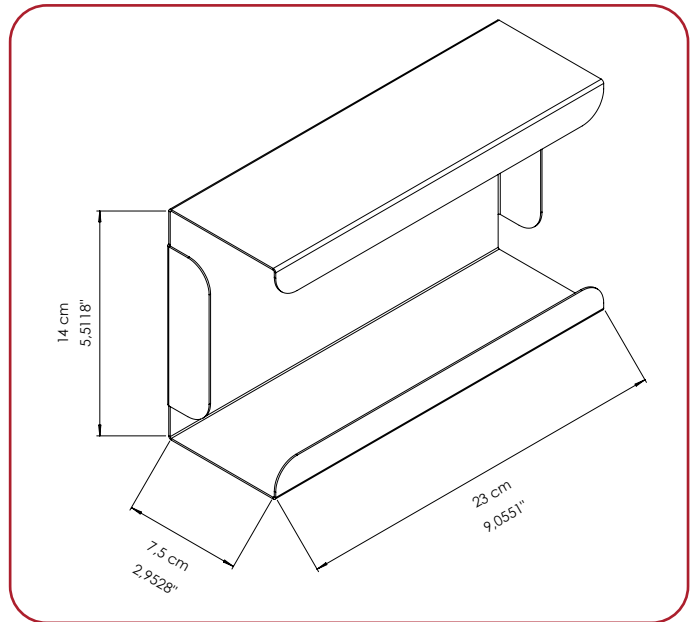
D243



D244



D244



D243

DISPENSER REPLACEMENT REQUIREMENTS AND RECOMMENDATIONS

The following recommendations are intended to provide guidelines on the best possible placement of the dispensers. Because every location a dispenser is to be mounted is different, depending on customer site, physical size limitations, and available space, these recommendations may not always be entirely possible to follow. However, when placing a dispenser installation must meet ADA requirements and should promote ease of use and be in union with its surroundings. Upon installation, the dispenser should be level and the job results professional, presentable and fully functional.

AFTERCARE INSTRUCTIONS

- + Regular cleaning with a soft cloth will keep the surface of your product looking new. Soapy water can be used to remove stubborn marks. Don't use abrasive or chemical cleaners as these may damage the surface finish over time.
- + Don't expose to sunlight.
- + Don't respond to the product with force against the possibility of damnification, deformation.
- + Don't throw any cigarettes and flammable materials into the product.



PRODUCT CODE
D243
D244



PRODUCT DIMEN.
23x14x7,5 cm
26,5x10x39 cm



CARTON DIMEN.
68x36x39 cm
32x70x41 cm



CARTON WEIGHT
8 kg
12 kg



INBOX QUANTITY
20
5



PALLET QUANTITY
300
100



GROSS PALLET DIMEN.
80x120x210 cm
80x120x220 cm



GROSS PALLET WEIGHT
135 kg
255 kg