

DM7003 / DM7004

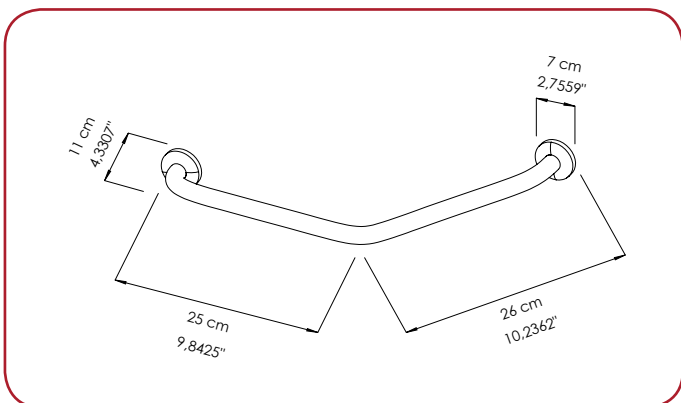
Grab Bars



DM7003



DM7004



DM7003

GENERAL DESCRIPTION

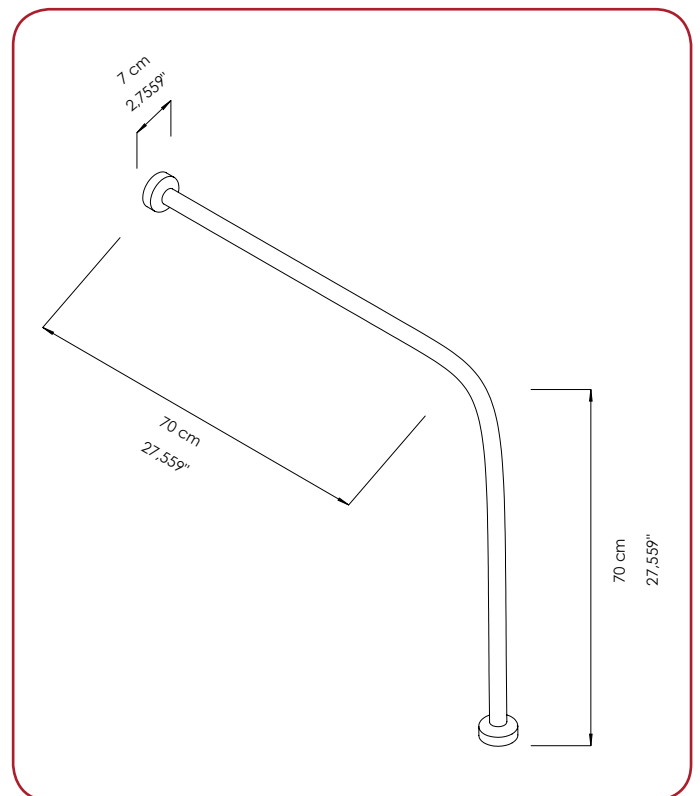
- + Grab bar is made with stainless steel 304 S.S 1.20 mm stainless steel tubing with satine finish and 32 mm outside diameter.
- + Available in only satine finish.
- + Slip-resistant surface can be added on the bar, if it is requested.
- + Useful for the public areas.
- + It is mounted with eight steel 4 mm screws (provided in the box) with their 8 mm plastic plugs (also provided)

COMPONENTS AND MATERIAL

- + DM7003 Stainless Steel 304 satine finish
- + DM7004 Stainless Steel 304 satine finish

INSTALLATION

- + First measure out where the bar will be placed, mark the holes and drill into the wall.
- + Insert the provided wall plugs and screw in the right screws, leaving a slight gap for the bar to slot onto.
- + Slot the bar onto the four previously fixed screws and then screw final four left screws.



DM7004

MOUNTING TEMPLATE

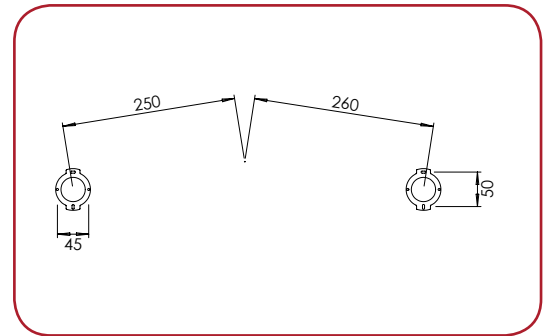
Should be minimum 60 cm high from the floor.

DISPENSER REPLACEMENT REQUIREMENTS AND RECOMMENDATIONS

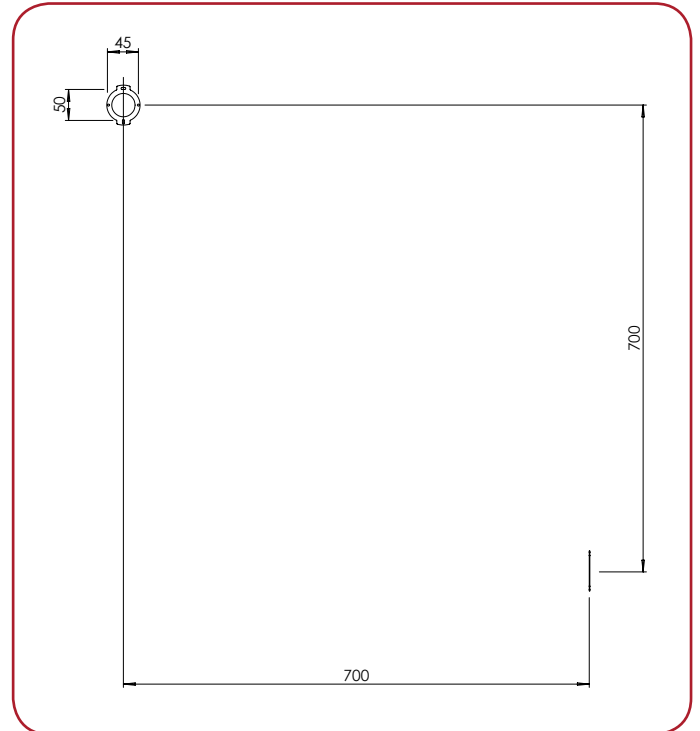
The following recommendations are intended to provide guidelines on the best possible placement of the dispensers. Because every location a dispenser is to be mounted is different, depending on customer site, physical size limitations, and available space, these recommendations may not always be entirely possible to follow. However, when placing a dispenser installation must meet ADA requirements and should promote ease of use and be in union with its surroundings. Upon installation, the dispenser should be level and the job results professional, presentable and fully functional.

AFTERCARE INSTRUCTIONS

- + Regular cleaning with a soft cloth will keep the surface of your product looking new. Soapy water can be used to remove stubborn marks. Dont use abrasive or chemical cleaners as thsesse may damage the surface finish over time.
- + Don't expose to sunlight.
- + Don't respond to the product with force against the possibility of damnification, deformation.
- + Don't throw any cigarettes and flammable materials into the product.



DM7003



DM7004



PRODUCT
CODE

DM7003
DM7004



PRODUCT
DIMEN.

25x26 cm
70x70 cm



CARTON
DIMEN.

11x23x52 cm
78x26x78 cm



CARTON
WEIGHT

0,95 kg
9,5 kg



INBOX
QUANTITY

1
6