

# DM7005 / DM7006 / DM7007

## Grab Bars



DM7005



DM7006

### GENERAL DESCRIPTION

- + Grab bar is made with stainless steel 304 S.S 1.20 mm stainless steel tubing with satine finish and 32 mm outside diameter.
- + Available in only satine finish.
- + Slip-resistant surface can be added on the bar, if it is requested.
- + Useful for the public areas.
- + It is mounted with twelve steel 4 mm screws (provided in the box) with their 8 mm plastic plugs (also provided)

### COMPONENTS AND MATERIAL

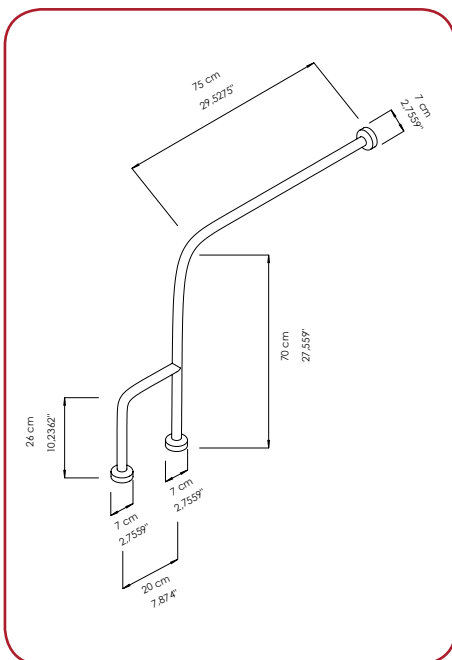
- + DM7005 Stainless Steel 304 satine finish
- + DM7006 Stainless Steel 304 satine finish
- + DM7007 Stainless Steel 304 satine finish



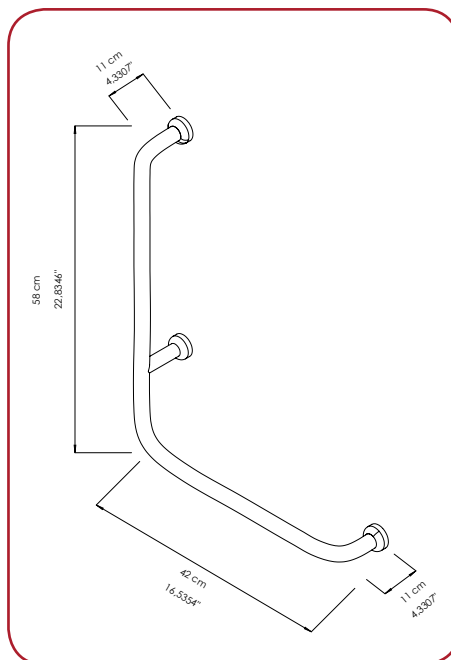
DM7007

### INSTALLATION

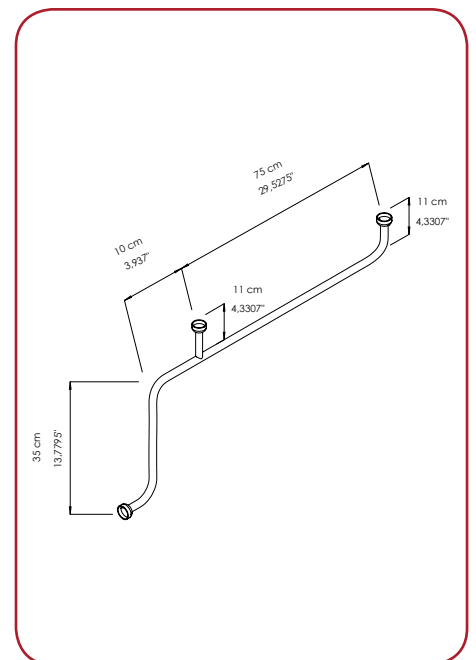
- + First measure out where the bar will be placed, mark the holes and drill into the wall.
- + Insert the provided wall plugs and screw in the right screws, leaving a slight gap for the bar to slot onto.
- + Slot the bar onto the four previously fixed screws and then screw four left screws, then the final four screws..



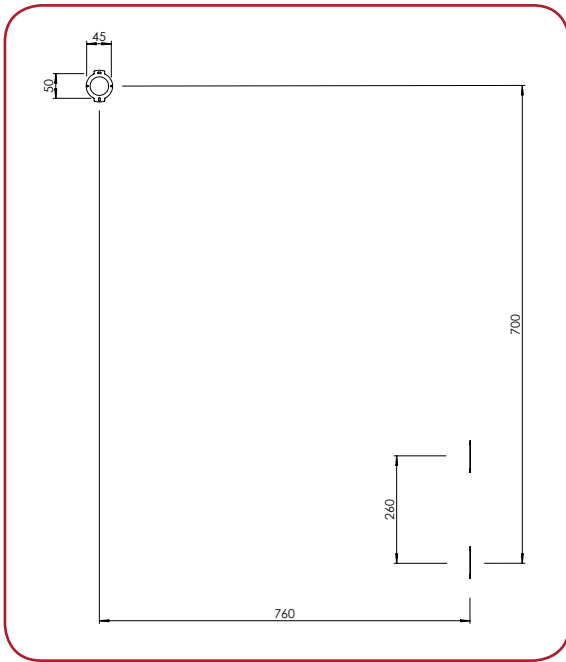
DM7005



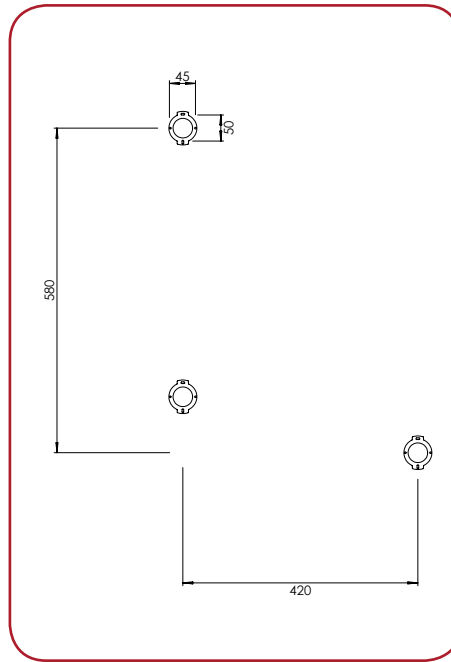
DM7006



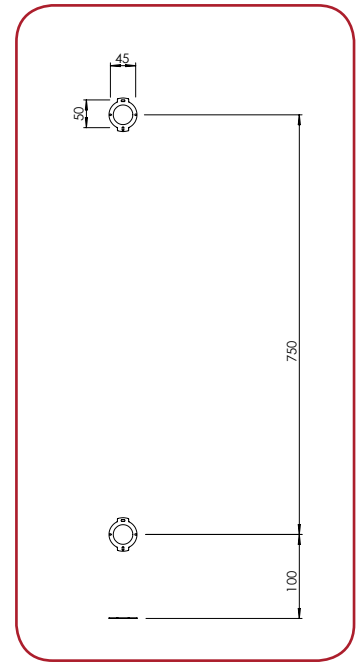
DM7007



DM7005



DM7006



DM7007

### MOUNTING TEMPLATE

Should be minimum 60 cm high from the floor.

### DISPENSER REPLACEMENT REQUIREMENTS AND RECOMMENDATIONS

The following recommendations are intended to provide guidelines on the best possible placement of the dispensers. Because every location a dispenser is to be mounted is different, depending on customer site, physical size limitations, and available space, these recommendations may not always be entirely possible to follow. However, when placing a dispenser installation must meet ADA requirements and should promote ease of use and be in union with its surroundings. Upon installation, the dispenser should be level and the job results professional, presentable and fully functional.

### AFTERCARE INSTRUCTIONS

- + Regular cleaning with a soft cloth will keep the surface of your product looking new. Soapy water can be used to remove stubborn marks. Don't use abrasive or chemical cleaners as these may damage the surface finish over time.
- + Don't expose to sunlight.
- + Don't respond to the product with force against the possibility of damnification, deformation.
- + Don't throw any cigarettes and flammable materials into the product.



PRODUCT  
CODE

DM7005  
DM7006  
DM7007



PRODUCT  
DIMEN.

26x20x70x75 cm  
58x42 cm  
35x10x75 cm



CARTON  
DIMEN.

78x26x78 cm  
78x26x78 cm  
78x26x78 cm



CARTON  
WEIGHT

14 kg  
13,5 kg  
13 kg



INBOX  
QUANTITY

6  
6  
6