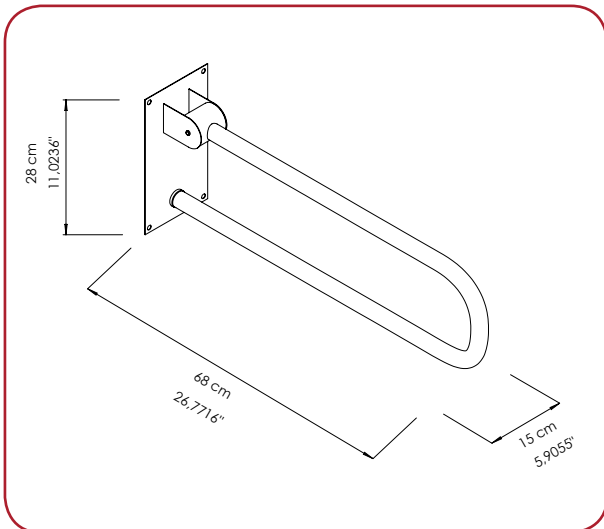


DM7008

Grab Bars



DM7008



DM7008

GENERAL DESCRIPTION

- + Grab bar is made with stainless steel 304 S.S 1.20 mm stainless steel tubing with satine finish and 32 mm outside diameter.
- + The back plate is made with stainless steel 304, 5mm thickness.
- + Swing-up grab bar.
- + Toilet paper holder can be added on, if it is requested.
- + Available in only satine finish.
- + Slip-resistant surbace can be added on the bar, if it is requested.
- + Useful for the public areas.
- + It is mounted with four steel 4 mm screws (provided in the box) with their 8 mm plastic plugs (also provided)

COMPONENTS AND MATERIAL

- + DM7008 Stainless Steel 304 satine finish

INSTALLATION

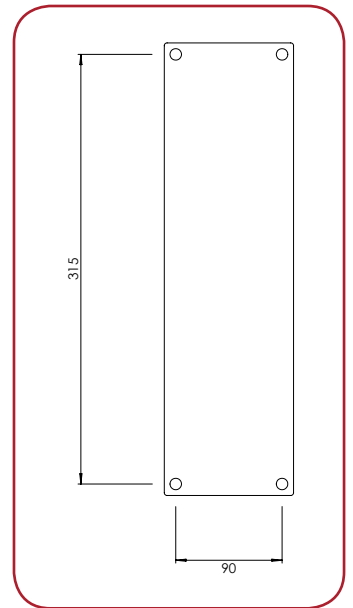
- + First measure out where the bar will be placed, mark the holes and drill into the wall.
- + Insert the provided wall plugs and screw in the first screws, leaving a slight gap for the bar to slot onto.
- + Slot the bar onto the two previously fixed screws and then screw two screws.

MOUNTING TEMPLATE

Should be minimum 60 cm high from the floor.

DISPENSER REPLACEMENT REQUIREMENTS AND RECOMMENDATIONS

The following recommendations are intended to provide guidelines on the best possible placement of the dispensers. Because every location a dispenser is to be mounted is different, depending on customer site, physical size limitations, and available space, these recommendations may not always be entirely possible to follow. However, when placing a dispenser installation must meet ADA requirements and should promote ease of use and be in union with its surroundings. Upon installation, the dispenser should be level and the job results professional, presentable and fully functional.



DM7008

AFTERCARE INSTRUCTIONS

- + Regular cleaning with a soft cloth will keep the surface of your product looking new. Soapy water can be used to remove stubborn marks. Dont use abrasive or chemical cleaners as these may damage the surface finish over time.
- + Don't expose to sunlight.
- + Don't respond to the product with force against the possibility of damnification, deformation.
- + Don't throw any cigarettes and flammable materials into the product.



PRODUCT
CODE
DM7008



PRODUCT
DIMEN.
28x15x68 cm



CARTON
DIMEN.
24x30x78 cm



CARTON
WEIGHT
7,5 kg



INBOX
QUANTITY
4