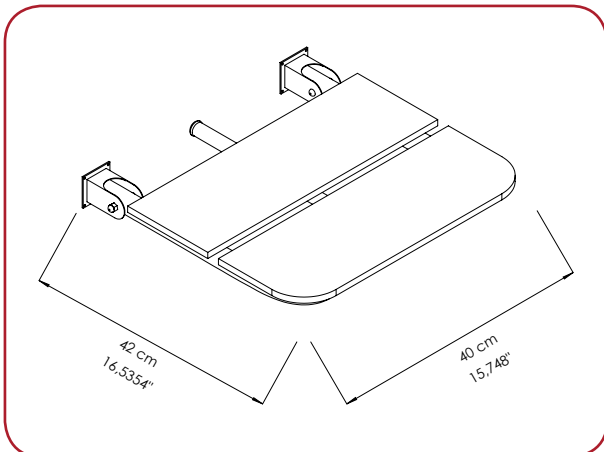


DM7009

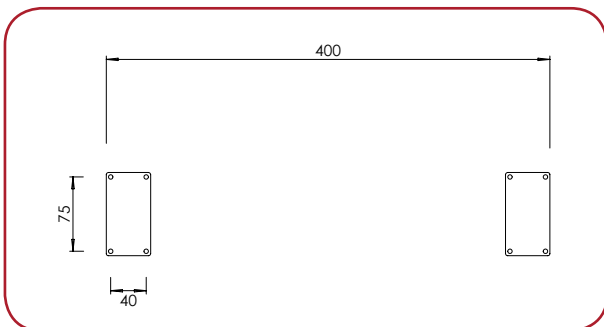
Grab Bars



DM7009



DM7009



DM7009

GENERAL DESCRIPTION

- + Bath seat is made with stainless steel 304 S.S 1.20 mm stainless steel tubing with satine finish and 32 mm outside diameter.
- + Seat part is made with water resistant wood.
- + Available in only satine finish.
- + Useful for the public areas.
- + It is mounted with four steel 4 mm screws (provided in the box) with their 8 mm plastic plugs (also provided)

COMPONENTS AND MATERIAL

- + DM7009 Stainless Steel 304 satine finish, wood

INSTALLATION

- + First measure out where the bar will be placed, mark the holes and drill into the wall.
- + Insert the provided wall plugs and screw in the first screws, leaving a slight gap for the bar to slot onto.
- + Slot the bar onto the two previously fixed screws and then screw two screws.

MOUNTING TEMPLATE

Should be minimum 60 cm high from the floor.

DISPENSER REPLACEMENT REQUIREMENTS AND RECOMMENDATIONS

The following recommendations are intended to provide guidelines on the best possible placement of the dispensers. Because every location a dispenser is to be mounted is different, depending on customer site, physical size limitations, and available space, these recommendations may not always be entirely possible to follow. However, when placing a dispenser installation must meet ADA requirements and should promote ease of use and be in union with its surroundings. Upon installation, the dispenser should be level and the job results professional, presentable and fully functional.

AFTERCARE INSTRUCTIONS

- + Regular cleaning with a soft cloth will keep the surface of your product looking new. Soapy water can be used to remove stubborn marks. Dont use abrasive or chemical cleaners as these may damage the surface finish over time.
- + Don't expose to sunlight.
- + Don't respond to the product with force against the possibility of damnification, deformation.
- + Don't throw any cigarettes and flammable materials into the product.



PRODUCT
CODE
DM7009



PRODUCT
DIMEN.
40X42 cm



CARTON
DIMEN.
45x15x5.6 cm



CARTON
WEIGHT
3,6 kg



INBOX
QUANTITY
1