

DMT68G / DMT78

Recycle Bins



DMT68G



DMT78

GENERAL DESCRIPTION

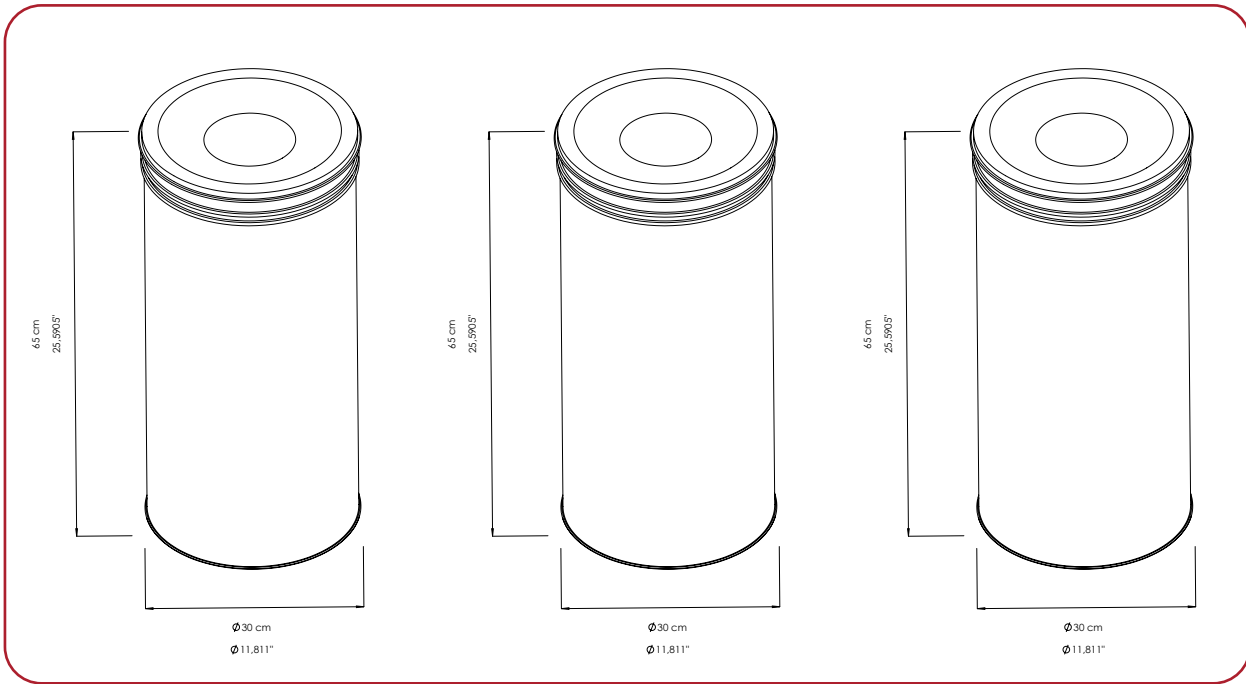
- + Recycle Bins made with 430 stainless steel 0.50 mm & 0.60 mm
- + Lids are painted in different colours.
- + Available only bright finish. (DMT 68G)
- + Available only satine finish. (DMT78)
- + Useful for the public areas.
- + Easy to remove top lid to clean inside.
- + Can be printed any letter or graph on the main surface or the top lid.

COMPONENTS AND MATERIAL AND CAPACITY

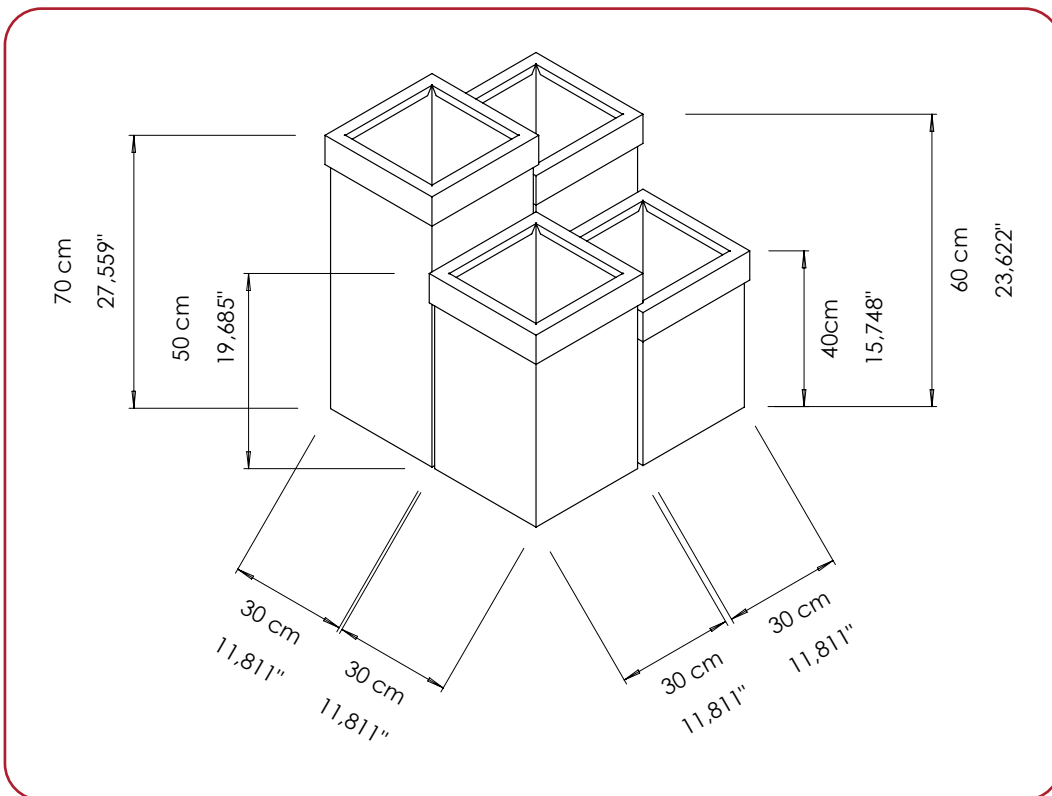
- + DMT 68G Stainless Steel 430 bright finish, 135 LT
- + DMT78 Stainless Steel 430 bright finish, 190 LT

BIN REPLACEMENT REQUIREMENTS AND RECOMMENDATIONS

The following recommendations are intended to provide guidelines on the best possible placement of the dispensers. Because every location a dispenser is to be mounted is different, depending on customer site, physical size limitations, and available space, these recommendations may not always be entirely possible to follow. However, when placing a dispenser installation must meet ADA requirements and should promote ease of use and be in union with its surroundings. Upon installation, the dispenser should be level and the job results professional, presentable and fully functional.



DMT68G



DMT78

AFTERCARE INSTRUCTIONS

- + Regular cleaning with a soft cloth will keep the surface of your product looking new. Soapy water can be used to remove stubborn marks. Dont use abrasive or chemical cleaners as these may damage the surface finish over time.
- + Don't expose to sunlight.
- + Don't respond to the product with force against the possibility of damnification, deformation.
- + Don't throw any cigarettes and flammable materials into the product.

PRODUCT CODE	LITER	PRODUCT DIMEN.	CARTON DIMEN.	CARTON WEIGHT	INBOX QUANTITY	PALLET QUANTITY	GROSS PALLET DIMEN.	GROSS PALLET WEIGHT
DMT68G	135 L	30x65 cm	37x97x68 cm	9,8 kg	1	6	80x120x220 cm	74 kg
DMT78	190 L	30x(40, 50, 60, 70) cm	65x65x75 cm	21 kg	1	4	80x120x165 cm	100 kg