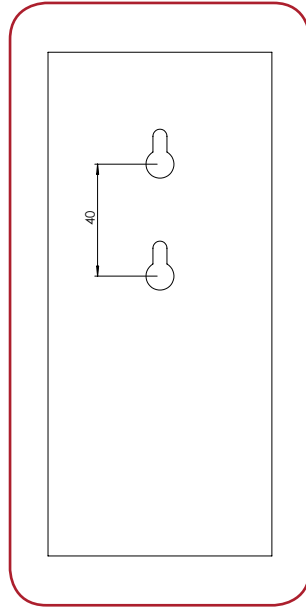


0954

Toilet Brush



0954

GENERAL DESCRIPTION

- + New toilet brush made with stainless steel 304 S.S. and 430 S.S. 0.50 thickness.
- + Available in only one finish (Bright)
- + Useful for the public areas.
- + It is mounted with two steel 4 mm screws (provided in the box) with their 8 mm plastic plugs (also provided) (0954A)

COMPONENTS AND MATERIAL

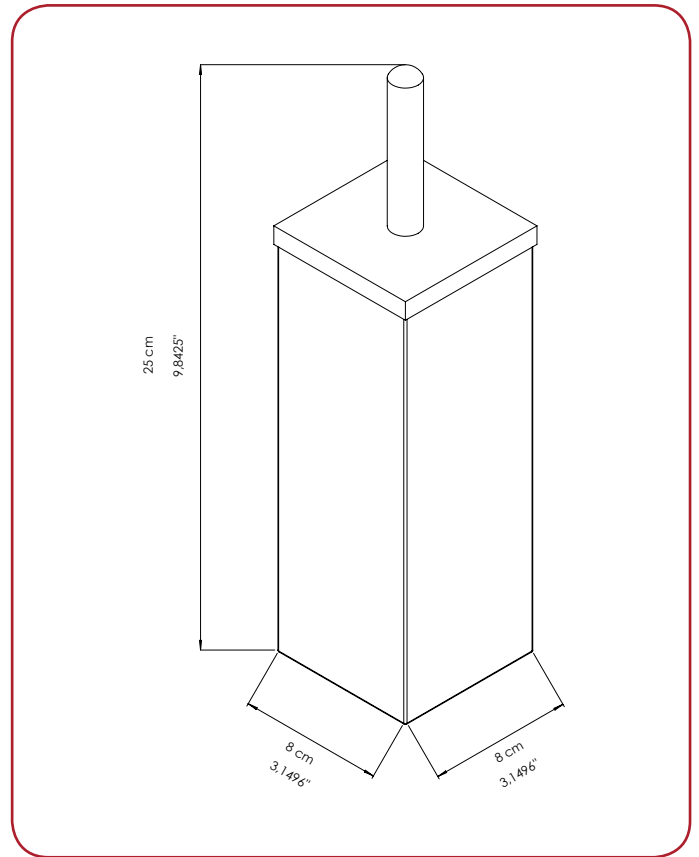
- + 0954 304 Stainless Steel bright finish
- + 0954A 304 Stainless Steel bright finish, wall mounted

INSTALLATION

- + First measure out where the dispenser will be placed, mark two holes and drill into the wall.
- + Insert the provided wall plugs and screw in the top one screw, leaving a slight gap for the dispenser to slot onto.
- + Take out the brush before mounting the dispenser to the wall.
- + Slot the dispenser onto the previously fixed screw and then screw final one screw.
- + Once the dispenser is secure, put the brush inside.

MOUNTING TEMPLATE

Should be minimum 40 cm high from the floor.



DISPENSER REPLACEMENT REQUIREMENTS AND RECOMMENDATIONS

The following recommendations are intended to provide guidelines on the best possible placement of the dispensers. Because every location a dispenser is to be mounted is different, depending on customer site, physical size limitations, and available space, these recommendations may not always be entirely possible to follow. However, when placing a dispenser installation must meet ADA requirements and should promote ease of use and be in union with its surroundings. Upon installation, the dispenser should be level and the job results professional, presentable and fully functional.

AFTERCARE INSTRUCTIONS

- + Regular cleaning with a soft cloth will keep the surface of your product looking new. Soapy water can be used to remove stubborn marks. Don't use abrasive or chemical cleaners as these may damage the surface finish over time.
- + Don't expose to sunlight.
- + Don't respond to the product with force against the possibility of damage, deformation.
- + Don't throw any cigarettes and flammable materials into the product.



PRODUCT
CODE

0954
0954A



PRODUCT
DIMEN.

8x8x25 cm
8x8x25 cm



CARTON
DIMEN.

66x55x62
66x55x62



CARTON
WEIGHT

41,5 kg
42,5 kg



INBOX
QUANTITY

50
50



PALLET
QUANTITY

300
300



GROSS PALLET
DIMEN.

80x120x205 cm
80x120x205 cm



GROSS PALLET
WEIGHT

265 kg
170 kg