

DMT 68 / DMT 68A

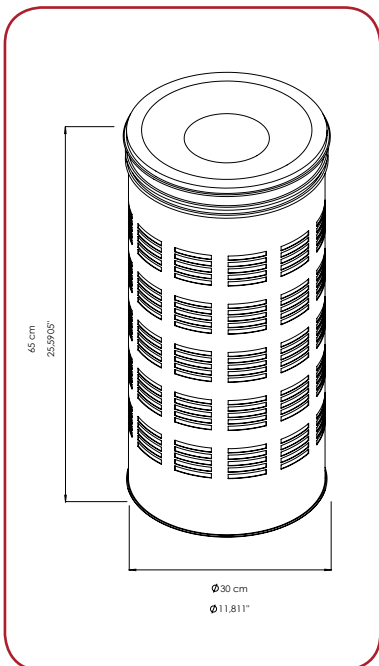
Indoor / Outdoor Bins



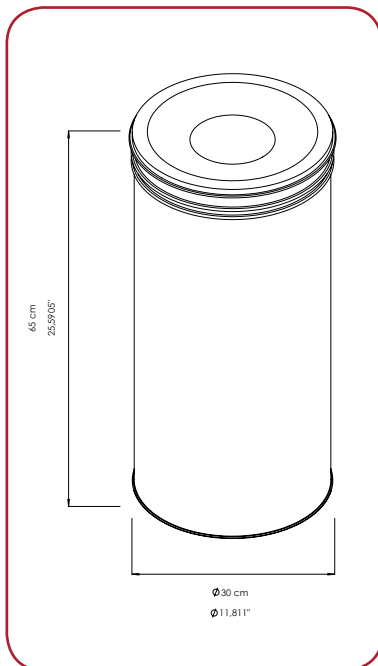
DMT68



DMT68A



DMT68



DMT68A

GENERAL DESCRIPTION

- + Standing Bin made with 430 stainless steel 0.50 mm.
- + These is perforated option. (DMT 68A)
- + Available only one finish (Bright)
- + Useful for the public areas.

COMPONENTS AND MATERIAL AND CAPACITY

- + DMT 68 Stainless Steel 430 bright finish, 45 LT
- + DMT 68A Stainless Steel 430 bright finish, perforated, 45 LT

BIN REPLACEMENT REQUIREMENTS AND RECOMMENDATIONS

The following recommendations are intended to provide guidelines on the best possible placement of the dispensers. Because every location a dispenser is to be mounted is different, depending on customer site, physical size limitations, and available space, these recommendations may not always be entirely possible to follow. However, when placing a dispenser installation must meet ADA requirements and should promote ease of use and be in union with its surroundings. Upon installation, the dispenser should be level and the job results professional, presentable and fully functional.

AFTERCARE INSTRUCTIONS

- + Regular cleaning with a soft cloth will keep the surface of your product looking new. Soapy water can be used to remove stubborn marks. Dont use abrasive or chemical cleaners as thsesse may damage the surface finish over time.
- + Don't expose to sunlight.
- + Don't respond to the product with force against the possibility of damnification, deformation.
- + Don't throw any cigarettes and flammable materials into the product.



PRODUCT
CODE

DMT68
DMT68A



LITER

45 L
45 L



PRODUCT
DIMEN.

30x65 cm
30x65 cm



CARTON
DIMEN.

34x97x68
34x97x68



CARTON
WEIGHT

9,6 kg
9,6 kg



INBOX
QUANTITY

3
3



PALLET
QUANTITY

15
15



GROSS PALLET
DIMEN.

80x120x220 cm
80x120x220 cm



GROSS PALLET
WEIGHT

73 kg
73 kg