

DM0009 / DM0010

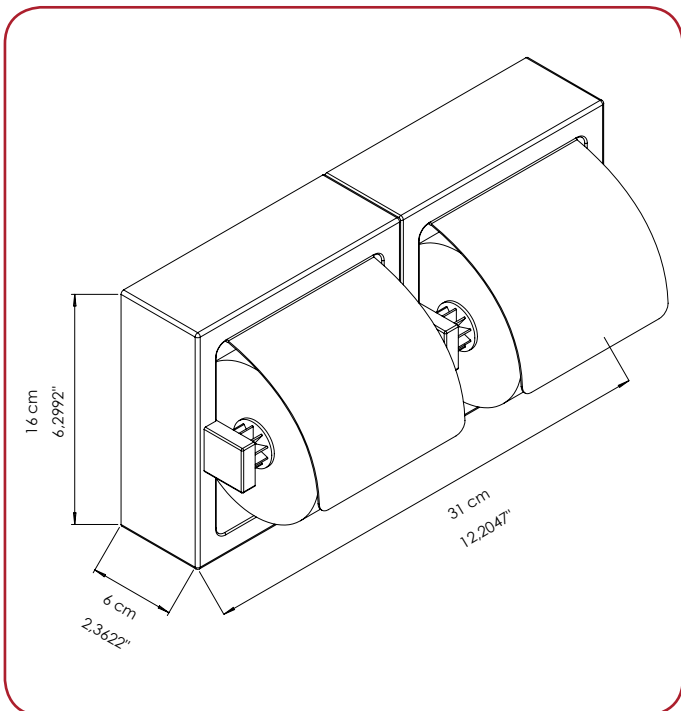
Wall Mounted Toilet Paper Holders



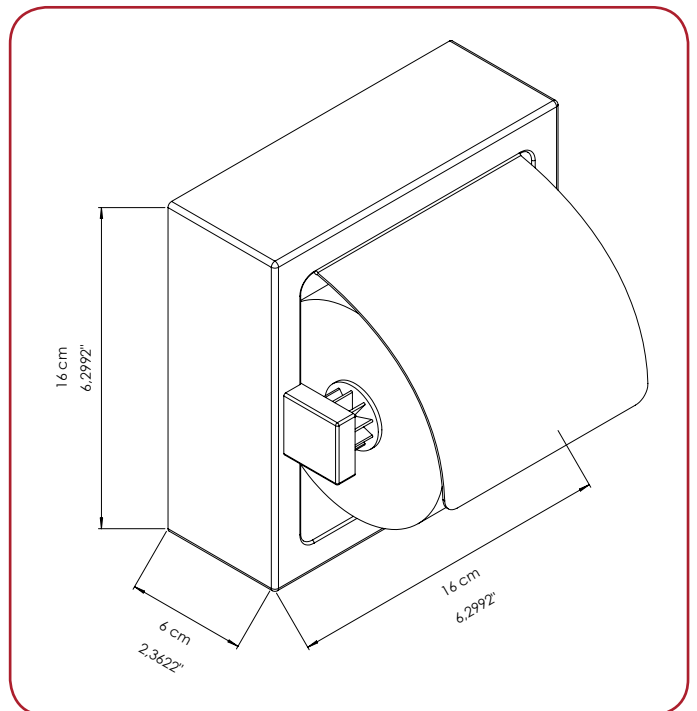
DM0009



DM0010



DM0009



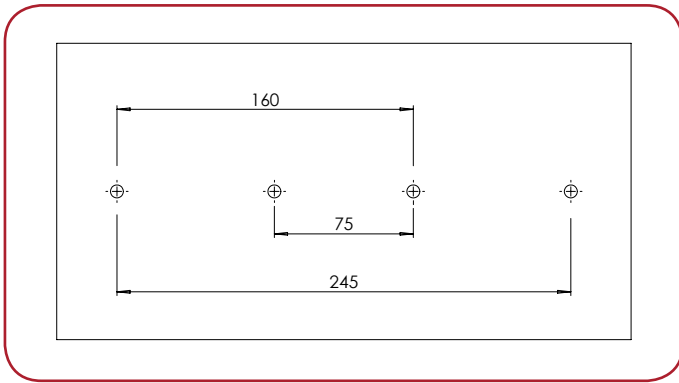
DM0010

GENERAL DESCRIPTION

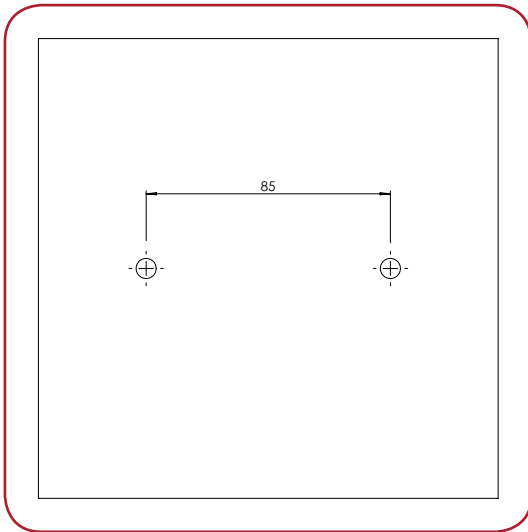
- + Wall mounted toilet paper holders made with stainless steel 304 S.S. 0.70 thickness.
- + Available in only one finish (satine)
- + Useful for the public areas
- + It is mounted with four steel 4 mm screws (provided in the box) with their 8 mm plastic plugs (also provided)

COMPONENTS AND MATERIAL

- + DM0009 -Stainless Steel 304 satine finish
- + DM0010 -Stainless Steel 304 satine finish



DM0009



DM0010

INSTALLATION

- + First measure out where the lid dispenser will be placed , mark three holes and drill into the wall.
- + Insert the provided wall plugs and screw in the top two screws, leaving a slight gap for the dispenser to slot onto.
- + Open the dispenser lock before mounting the dispenser to the wall.
- + Slot the dispenser onto the two previously fixed screws and then screw final one screw.

MOUNTING TEMPLATE

Should be minimum 60 cm high from the floor.

DISPENSER REPLACEMENT REQUIREMENTS AND RECOMMENDATIONS

The following recommendations are intended to provide guidelines on the best possible placement of the dispensers. Because every location a dispenser is to be mounted is different, depending on customer site, physical size limitations, and available space, these recommendations may not always be entirely possible to follow. However, when placing a dispenser installation must meet ADA requirements and should promote ease of use and be in union with its surroundings. Upon installation, the dispenser should be level and the job results professional, presentable and fully functional.

AFTERCARE INSTRUCTIONS

- + Regular cleaning with a soft cloth will keep the surface of your product looking new. Soapy water can be used to remove stubborn marks. Dont use abrasive or chemical cleaners as thsesse may damage the surface finish over time.
- + Don't expose to sunlight.
- + Don't respond to the product with force against the possibility of damnification, deformation.
- + Don't throw any cigarettes and flammable materials into the product.



PRODUCT CODE
DM0010
DM0009



PRODUCT DIMEN.
16x6x16 cm
31x6x16 cm



CARTON DIMEN.
55x36x35 cm
73x53x35 cm



CARTON WEIGHT
19 kg
36 kg



INBOX QUANTITY
24
24



PALLET QUANTITY
480
240



GROSS PALLET DIMEN.
80x120x190 cm
80x120x190 cm



GROSS PALLET WEIGHT
395 kg
375 kg